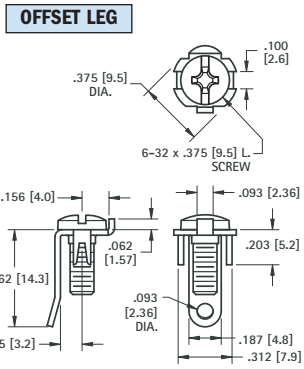
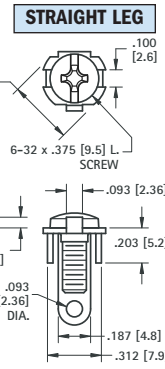


# SCREW TERMINALS



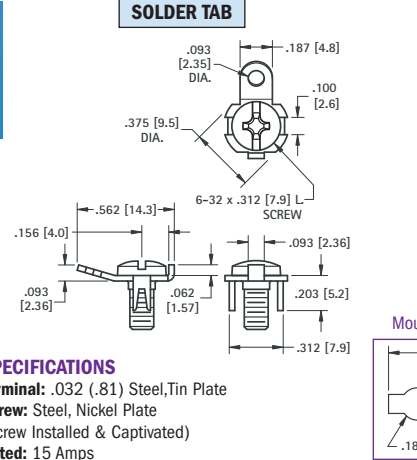
**SPECIFICATIONS**  
**Terminal:** .032 (.81) Steel, Tin Plate  
**Screw:** Steel, Nickel Plate  
 (Screw Installed & Captivated)  
**Rated:** 15 Amps

**CAT. NO. 1248**



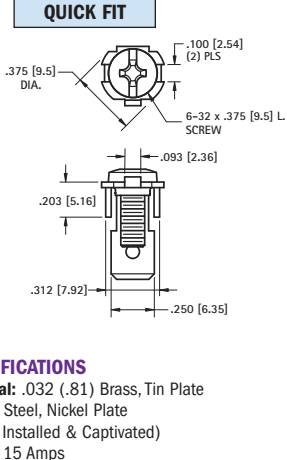
**SPECIFICATIONS**  
**Terminal:** .032 (.81) Steel, Tin Plate  
**Screw:** Steel, Nickel Plate  
 (Screw Installed & Captivated)  
**Rated:** 15 Amps

**CAT. NO. 1215**



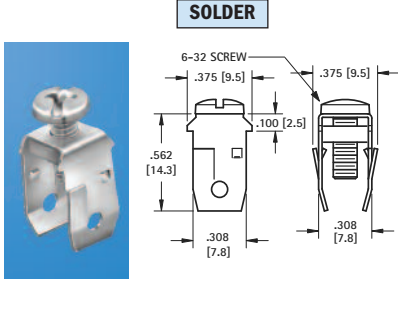
**SPECIFICATIONS**  
**Terminal:** .032 (.81) Steel, Tin Plate  
**Screw:** Steel, Nickel Plate  
 (Screw Installed & Captivated)  
**Rated:** 15 Amps

**CAT. NO. 1232**



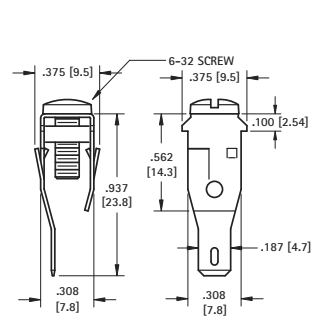
**SPECIFICATIONS**  
**Terminal:** .032 (.81) Brass, Tin Plate  
**Screw:** Steel, Nickel Plate  
 (Screw Installed & Captivated)  
**Rated:** 15 Amps

**CAT. NO. 1217**



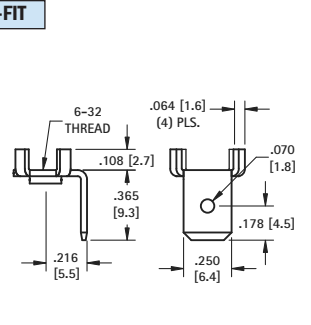
**SPECIFICATIONS**  
**Terminal:** .020 (.51) Steel, Tin Plate  
**Screw:** Steel, Zinc Plate,  
 (Screw Installed & Captivated)  
**Rated:** 15 Amps

**CAT. NO. 1272**



**SPECIFICATIONS**  
**Terminal:** .020 (.51) Steel, Tin Plate  
**Screw:** Steel, Zinc Plate,  
 (Screw Installed & Captivated)  
**Rated:** 15 Amps

**CAT. NO. 1273**



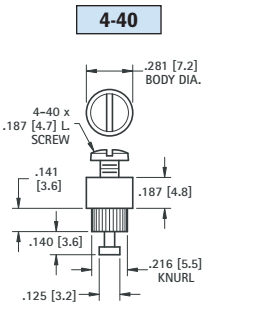
**SPECIFICATIONS**  
**Material:** .032 (.81) Brass, Nickel Plate  
**Rated:** 15 Amps

**CAT. NO. 1247** (No Screw Supplied)  
**CAT. NO. 1251** (Screw Supplied)

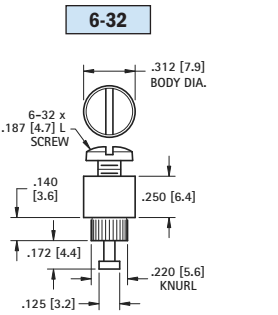
Supplied Unassembled

## BINDING POST TERMINALS (RIVET TYPE)

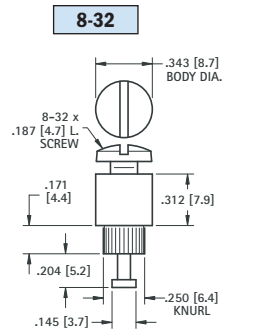
**SPECIFICATIONS Terminal:** Brass, Tin Plate **Screw:** Steel, Zinc Plate (Screw Supplied Unassembled)



**Mounting Hole:** .220 (5.6)  
**CAT. NO. 1537** FOR .093 (2.38) BOARD



**Mounting Hole:** .225 (5.7)  
**CAT. NO. 1535** FOR .093 (2.38) BOARD



**Mounting Hole:** .255 (6.5)  
**CAT. NO. 1536** FOR .125 (3.2) BOARD