

IP65 WATER & DUST RESISTANT DENSI-PAK® BATTERY HOLDERS

- Water and dust resistant to IP65 standards
- Sealed on/off switch included
- Ideal for outdoor use such as holiday lighting or automotive emergency markers or harsh manufacturing environments
- Batteries securely held in place to assure a positive connection and low contact resistance
- Coil springs accommodate variations in battery lengths
- Withstands shock and vibration

SUPPLIED WITH ON/OFF SWITCH

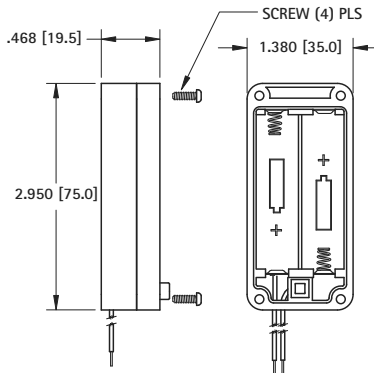


SPECIFICATIONS

Holder: ABS Plastic
Springs: Spring Steel, Nickel Plate
Wires: 6.0 (152) long, #26 AWG Stripped and pretinned ends, UL/CSA 1007
Temperature Range: 50°F to 194°F (10°C to 90°C)

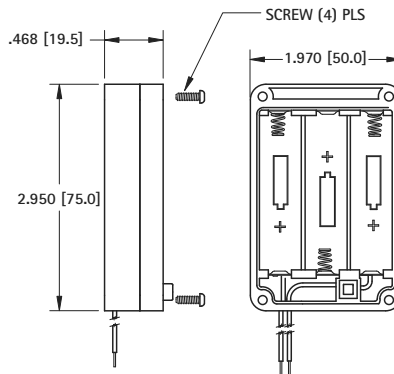
“AA”

Two (2) Cells - In Series



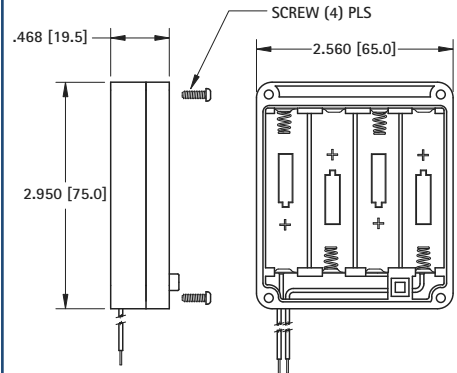
CAT. NO. 2438 Wire Leads with On/Off Switch

Three (3) Cells - In Series



CAT. NO. 2439 Wire Leads with On/Off Switch

Four (4) Cells - In Series

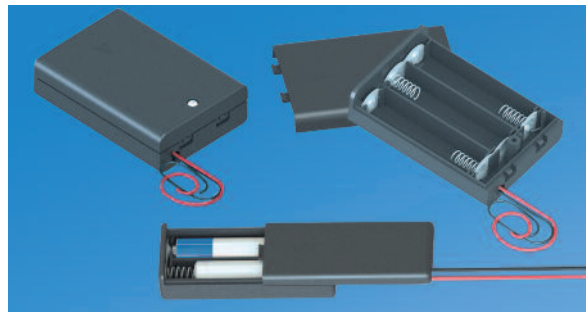


CAT. NO. 2440 Wire Leads with On/Off Switch

DENSI-PAK® BATTERY HOLDERS

- Supports high density packaging
- Batteries securely held in place to assure a positive connection and maintain a low contact resistance
- Contact springs self-adjust to variations in battery length
- Snap-on cover protects and secures batteries
- Withstands shock and vibration

ON/OFF SWITCH OPTIONAL



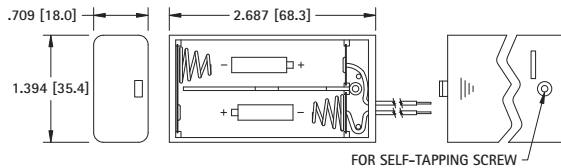
See page 33 for Mating PC Jacks

SPECIFICATIONS

Holder: ABS
Springs: Spring Steel, Nickel Plate
Wires (Red & Black): 6.0 (152) long, #26 AWG, Stripped and pretinned ends, UL/CSA1007
3 Pin Locking PC Connector:
Housing: Nylon 6/6
Contacts: Phosphor Bronze, Tin Plate

“AA”

Two (2) Cells - In Series

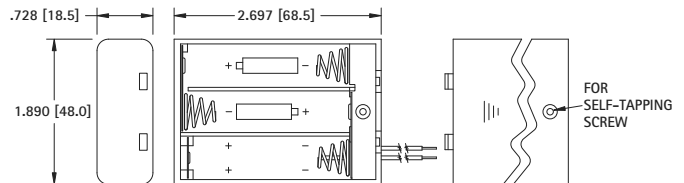


CAT. NO. 2490 Wire Leads Only

CAT. NO. 2490CN Wire Leads w/PC Connector

CAT. NO. 2490SW Wire Leads with On/Off Switch

Three (3) Cells - In Series



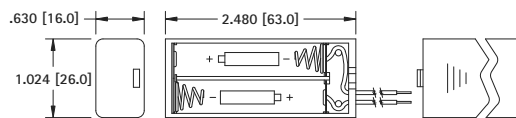
CAT. NO. 2487 Wire Leads Only

CAT. NO. 2487CN Wire Leads w/PC Connector

CAT. NO. 2487SW Wire Leads with On/Off Switch

“AAA”

Two (2) Cells - In Series

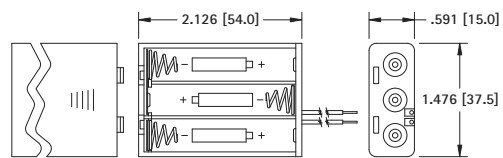


CAT. NO. 2489 Wire Leads Only

CAT. NO. 2489CN Wire Leads w/PC Connector

CAT. NO. 2489SW Wire Leads with On/Off Switch

Three (3) Cells - In Series



CAT. NO. 2484 Wire Leads Only

CAT. NO. 2484CN Wire Leads w/PC Connector

CAT. NO. 2484SW Wire Leads with On/Off Switch