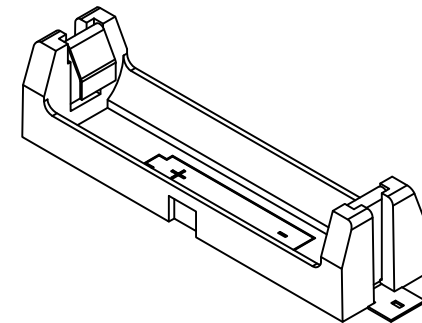
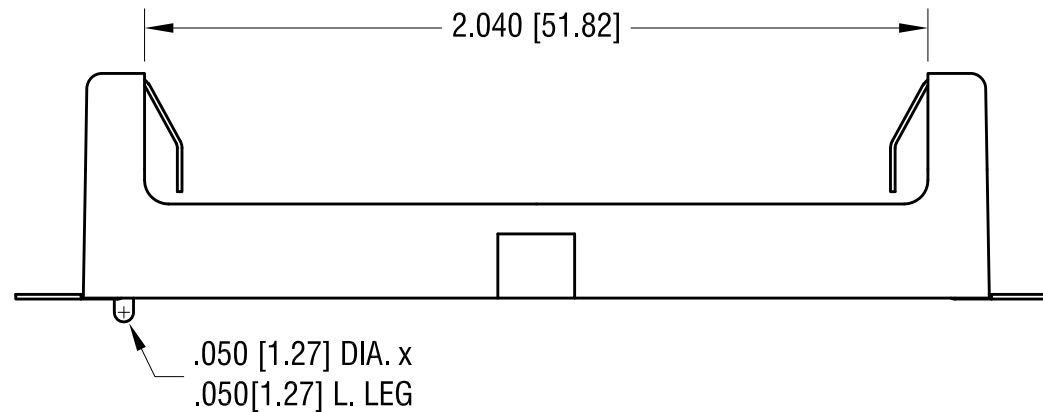
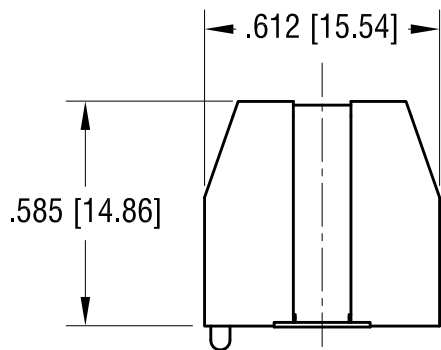
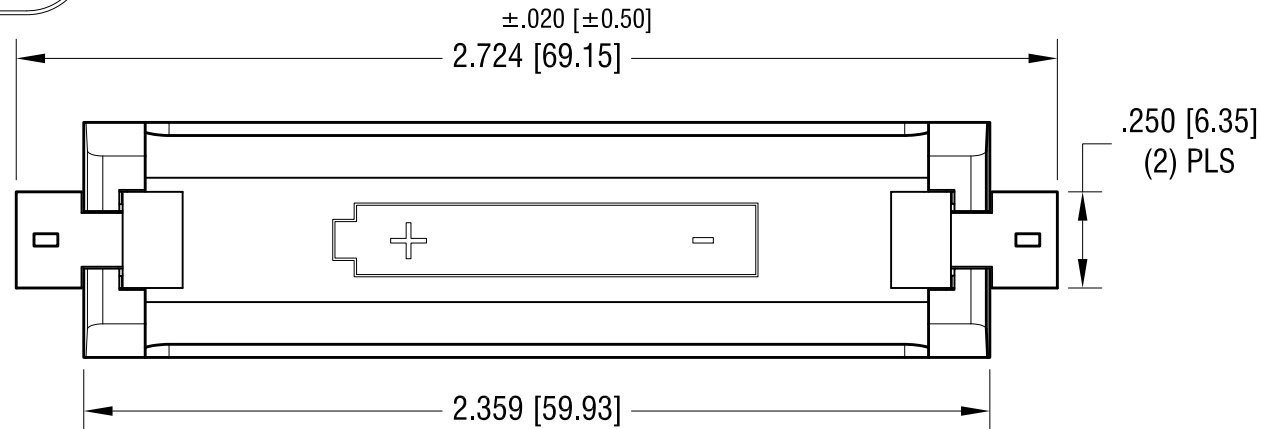
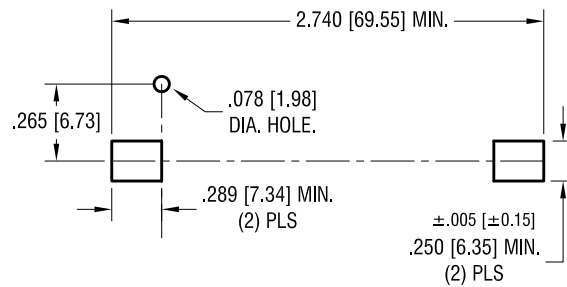


DATE	DESCRIPTION	REV.
2.17.10	CHANGE AS PER ECN 10-014	A
10.08.13	CHANGE AS PER ECN 13-090	B
3.30.17	CHANGE AS PER ECN17-029	C

MOUNTING PAD LAYOUT



- NOTE:
- BASE:
MAT'L: HEAT RESISTANCE NYLON STANYL 46 OR EQUIVALENT
 - CONTACT:
MAT'L: .012 [0.30] THK STAINLESS STEEL
FINISH: GOLD FLASH, OVER NICKEL PLATE.

THIS DOCUMENT IS THE PROPERTY OF KEYSTONE ELECTRONICS CORP. AND SHALL NOT BE REPRODUCED, DISTRIBUTED OR USED AS A BASIS FOR MANUFACTURE WITHOUT PRIOR WRITTEN PERMISSION FROM KEYSTONE ELECTRONICS CORP.

KEYSTONE ELECTRONICS CORP.			
www.keyelco.com • ASTORIA, N.Y. 11105-2017 • Tel (718) 956-8900			
PART NAME SM BATTERY HOLDER, AA			
MATERIAL AS NOTED			
FINISH AS NOTED		DRN BY NT	DATE 12.09.09
		APPD LN	SCALE 2X
TOLERANCES DECIMAL ANGULAR	INCH [MM] ± .010 [± 0.25] ± 1°	CODE C	DWG NO. 1024
UNLESS OTHERWISE SPECIFIED			