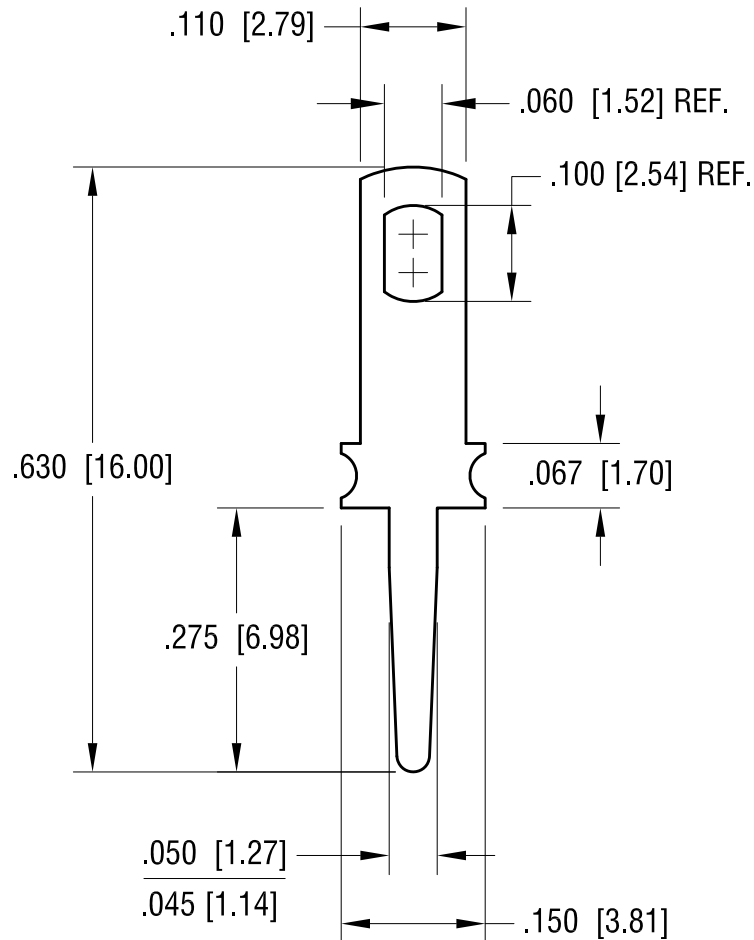


THIS DOCUMENT IS THE PROPERTY OF
KEYSTONE ELECTRONICS CORP. AND
SHALL NOT BE REPRODUCED, DISTRIBUTED
OR USED AS A BASIS FOR MANUFACTURE
WITHOUT PRIOR WRITTEN PERMISSION
FROM KEYSTONE ELECTRONICS CORP.

ACTUAL SIZE



4.29.24	UPDATE DIMENSIONS	C
2.07.17	CHANGE AS PER ECN 17-016	B
6.30.09	CHANGE AS PER ECN 09-091	A
DATE	DESCRIPTION	REV.

KEYSTONE ELECTRONICS CORP.			
www.keyelco.com • NEW HYDE PARK NY 11040 • Tel (516)328-7500			
PART NAME			
PC TEST POINT TERMINAL			
MATERIAL			
.032 [081] TH'K BRASS			
FINISH		DRN BY	DATE
MATTE TIN PLATE		BOONE	3.23.95
		APP'D	SCALE
		RH	5X
TOLERANCES	INCH [MM]	CODE	DWG NO.
DECIMAL	± .005 [± 0.13]	C	1041
ANGULAR	± 1°		
UNLESS OTHERWISE SPECIFIED			