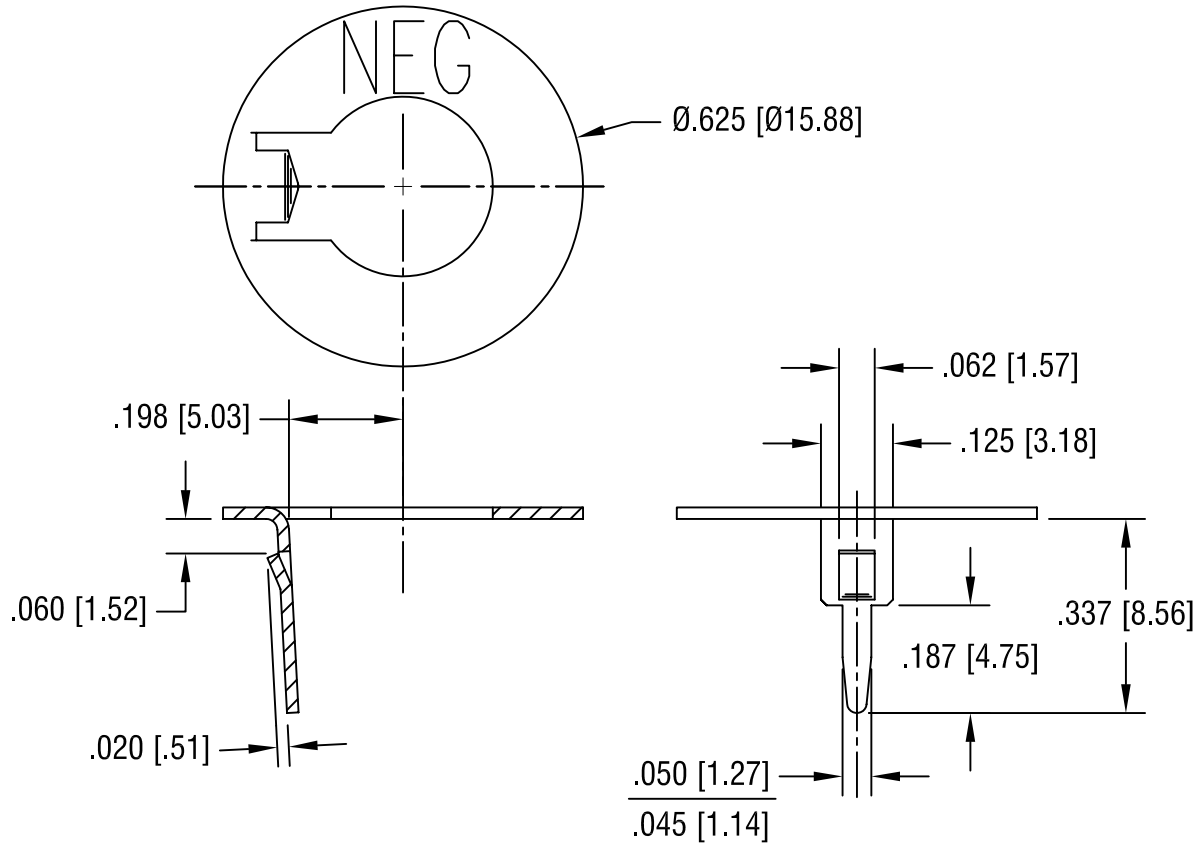


THIS DOCUMENT IS THE PROPERTY OF
KEYSTONE ELECTRONICS CORP. AND
SHALL NOT BE REPRODUCED, DISTRIBUTED
OR USED AS A BASIS FOR MANUFACTURE
WITHOUT PRIOR WRITTEN PERMISSION
FROM KEYSTONE ELECTRONICS CORP.



NOTE:
1. HEAT TREAT TO SPRING TEMPER

| | | | |
|---------------------------------------|-----------------|----------------|--------------|
| KEYSTONE ELECTRONICS CORP. | | | |
| ASTORIA, N.Y. 11105-2017 | | | |
| PART NAME | | BOTTOM CONTACT | |
| MATERIAL | | | |
| .020 [.50] TH'K ANNEALED SPRING STEEL | | | |
| FINISH | | DRN BY | DATE |
| TIN NICKEL PLATE | | BOONE | 5.17.84 |
| | | APP'D | SCALE |
| | | | 3X |
| TOLERANCES | INCH [MM] | CODE | DWG NO. |
| DECIMAL | ± .005 [± 0.15] | C | 105-3 |
| ANGULAR | ± 1° | | |
| UNLESS OTHERWISE SPECIFIED | | | |

| | | |
|---------|--------------------------|------|
| 9.10.04 | CHANGE AS PER ECN 04-090 | E |
| DATE | DESCRIPTION | REV. |