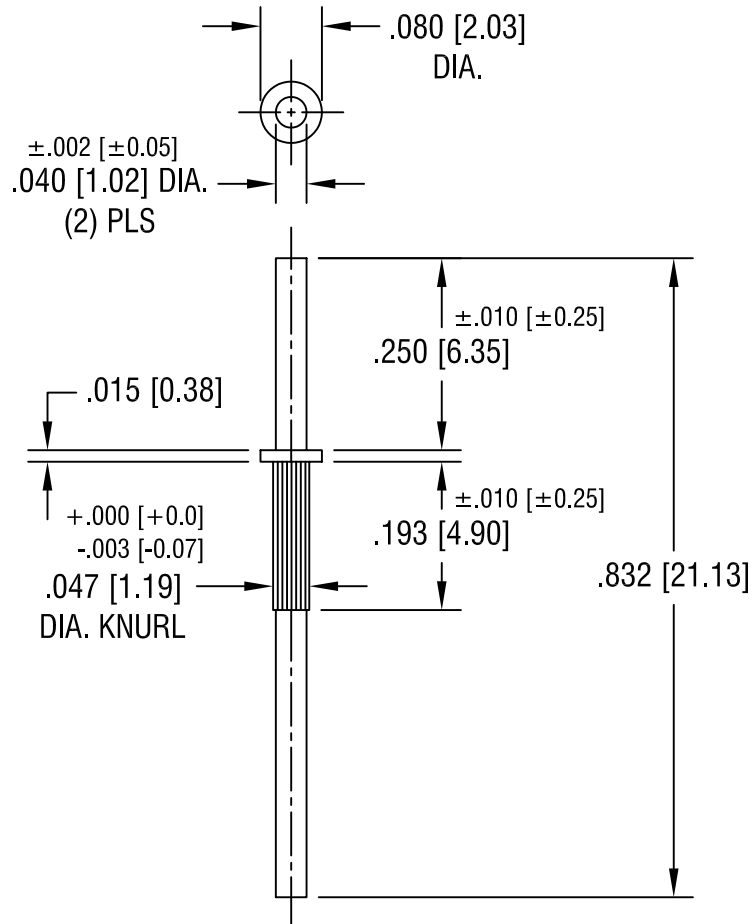


THIS DOCUMENT IS THE PROPERTY OF
KEYSTONE ELECTRONICS CORP. AND
SHALL NOT BE REPRODUCED, DISTRIBUTED
OR USED AS A BASIS FOR MANUFACTURE
WITHOUT PRIOR WRITTEN PERMISSION
FROM KEYSTONE ELECTRONICS CORP.



KEYSTONE ELECTRONICS CORP.

ASTORIA, N.Y. 11105-2017

PART NAME

PRESS-FIT KAY PIN

MATERIAL

NICKEL SILVER

FINISH

--

DRN BY

BOONE

DATE

4.15.82

APPD

SCALE

4X

7.26.01 CHANGE AS PER ECN 01-053

A

TOLERANCES

INCH [MM]

CODE

DWG NO.

DECIMAL $\pm .005 [± 0.15]$

C

1218

ANGULAR $\pm 1^\circ$
UNLESS OTHERWISE SPECIFIED

DATE

DESCRIPTION

REV.