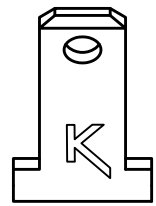
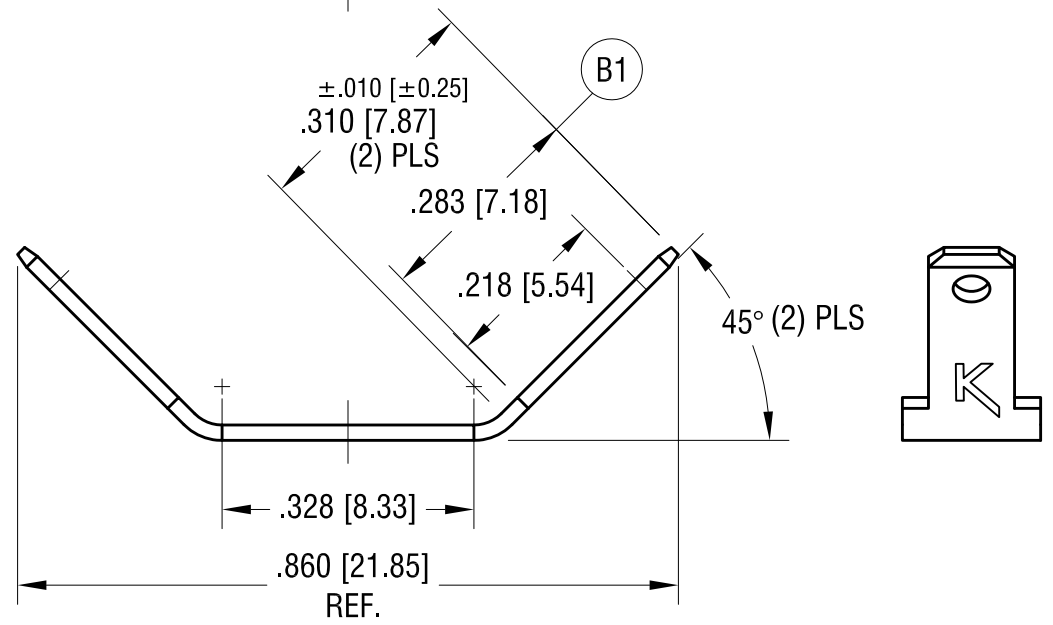
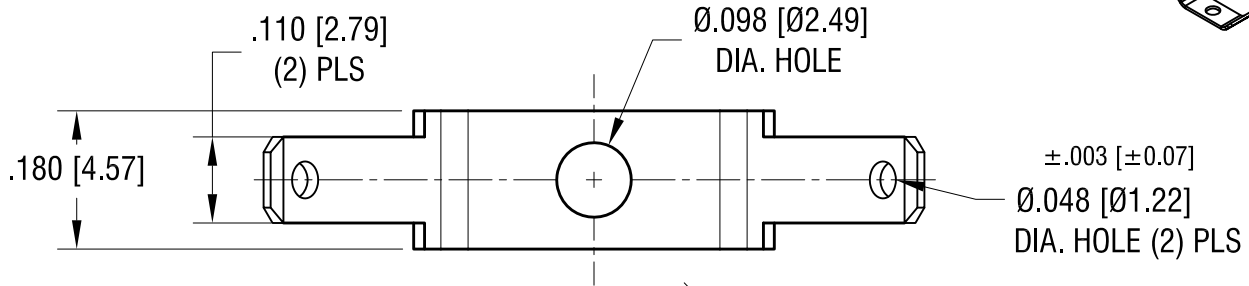
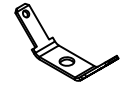


THIS DOCUMENT IS THE PROPERTY OF  
KEYSTONE ELECTRONICS CORP. AND  
SHALL NOT BE REPRODUCED, DISTRIBUTED  
OR USED AS A BASIS FOR MANUFACTURE  
WITHOUT PRIOR WRITTEN PERMISSION  
FROM KEYSTONE ELECTRONICS CORP.

ACTUAL SIZE



**KEYSTONE ELECTRONICS CORP.**

www.keyelco.com • NEW HYDE PARK, NY 11040 • Tel (516) 328-7500

PART NAME  
**.110 QUICK-FIT TERMINAL**

MATERIAL  
**.020 [0.50] TH'K BRASS**

FINISH <b>MATTE TIN PLATE</b>	DRN BY <b>NT</b>	DATE <b>8.02.10</b>
	APP'D <b>MR</b>	SCALE <b>4X</b>

TOLERANCES DECIMAL ANGULAR ± 1° UNLESS OTHERWISE SPECIFIED	INCH [MM] ± .005 [± 0.13]	CODE <b>C</b>	DWG NO. <b>1240</b>
---	------------------------------	------------------	------------------------

8.21.23	(B1) WAS .280 CHANGE AS PER ECN 23-145	B
1.29.21	CHANGE AS PER ECN 21-008	A
DATE	DESCRIPTION	REV.