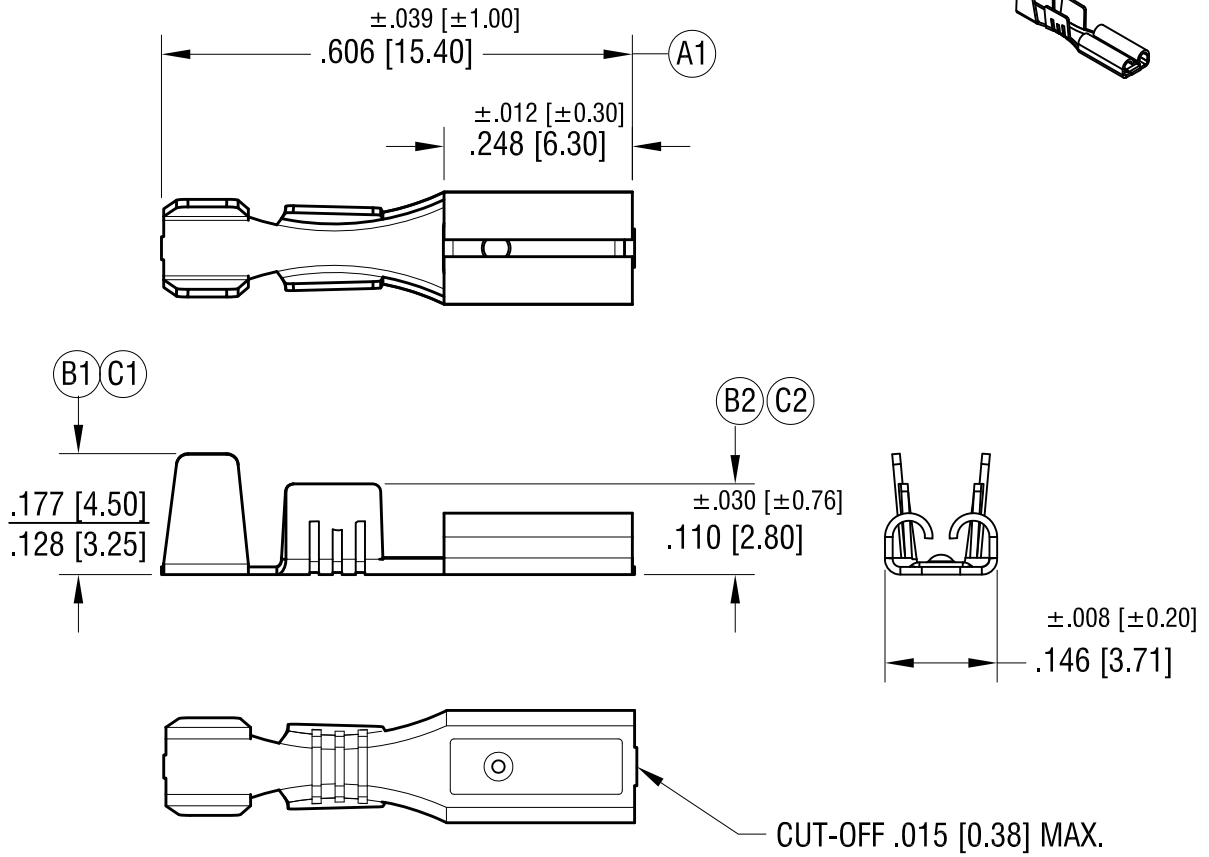


THIS DOCUMENT IS THE PROPERTY OF KEYSTONE ELECTRONICS CORP. AND SHALL NOT BE REPRODUCED, DISTRIBUTED OR USED AS A BASIS FOR MANUFACTURE WITHOUT PRIOR WRITTEN PERMISSION FROM KEYSTONE ELECTRONICS CORP.

ACTUAL SIZE



NOTES:

1. DESIGNED FOR .110 [2.79] x .020 [0.51] TAB
2. WIRE RANGE : 22-18 AWG

		KEYSTONE ELECTRONICS CORP.	
		www.keyelco.com • NEW HYDE PARK NY 11040 • Tel (516)328-7500	
4.24.24	(C1) WAS .157±.020, (C2) WAS .110±.020	C	PART NAME QUICK-FIT FEMALE TERMINAL
7.24.23	(B1) WAS .130±.012, (B2) WAS .110±.012 CHANGE AS PER ECN 23-125	B	MATERIAL .010 [0.25] TH'K BRASS
12.01.14	(A1) WAS .640 [16.26], SPLIT C/M CHANGE AS PER ECN 14-116	A	FINISH TIN PLATE
DATE	DESCRIPTION	REV.	DRN BY BOONE DATE 10.08.99 APP'D RH SCALE 3X TOLERANCES INCH [MM] DECIMAL ±.010 [±0.25] ANGULAR ± 1° UNLESS OTHERWISE SPECIFIED
			CODE DWG NO. C 1252