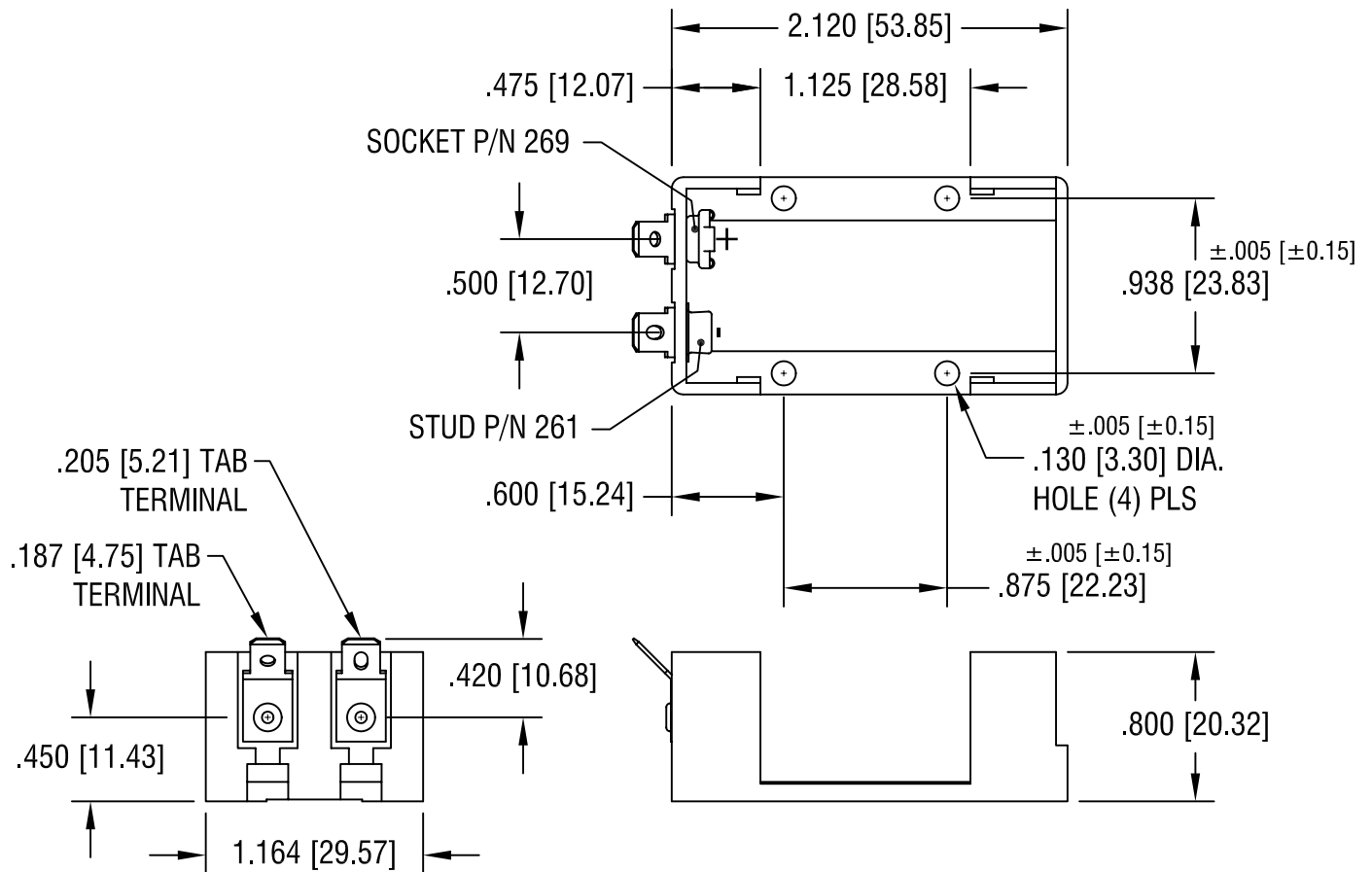


THIS DOCUMENT IS THE PROPERTY OF
KEYSTONE ELECTRONICS CORP. AND
SHALL NOT BE REPRODUCED, DISTRIBUTED
OR USED AS A BASIS FOR MANUFACTURE
WITHOUT PRIOR WRITTEN PERMISSION
FROM KEYSTONE ELECTRONICS CORP.



NOTES:

- 1. BASE: MAT'L - GLASS FILLED NYLON, BLACK
- CONTACT: MAT'L - STEEL, NICKEL PLATE
- TERMINAL: MAT'L - BRASS, TIN PLATE
- EYELET: MAT'L - BRASS, TIN PLATE

DATE	DESCRIPTION	REV.
4.24.01	CHANGE AS PER ECN 01-031	C
10.29.98	CHANGE AS PER ECR 98-075	B
6.22.93	REVISED	A

KEYSTONE ELECTRONICS CORP.			
ASTORIA, N.Y. 11105-2017			
PART NAME			
9 VOLT BATTERY HOLDER			
MATERIAL			
AS NOTED			
FINISH		DRN BY	DATE
AS NOTED		BOONE	4.8.85
		APPD	SCALE
		LN	1X
TOLERANCES	INCH [MM]	CODE	DWG NO.
DECIMAL	± .010 [± 0.25]	C	1295
ANGULAR	± 1°		
UNLESS OTHERWISE SPECIFIED			