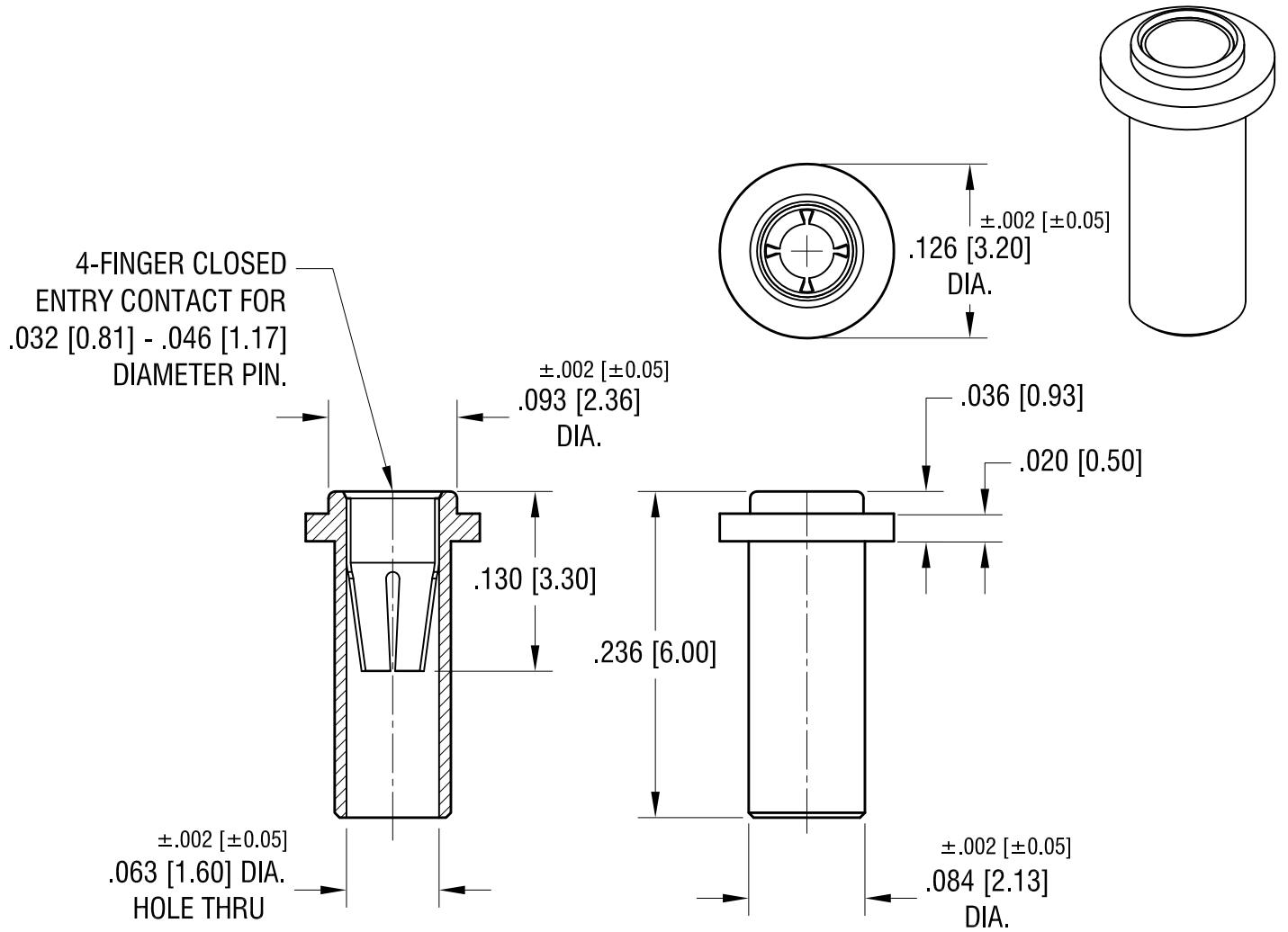


THIS DOCUMENT IS THE PROPERTY OF KEYSTONE ELECTRONICS CORP. AND SHALL NOT BE REPRODUCED, DISTRIBUTED OR USED AS A BASIS FOR MANUFACTURE WITHOUT PRIOR WRITTEN PERMISSION FROM KEYSTONE ELECTRONICS CORP.



NOTES:

- 1. BODY: MAT'L - BRASS
SPRING CONTACT: MAT'L - BERYLLIUM COPPER
- 2. MOUNTING HOLE DIA.: .089 [2.26]

12.30.10	REDRAWN CHANGE AS PER ECN 10-093	A
DATE	DESCRIPTION	REV.

KEYSTONE ELECTRONICS CORP.			
www.keyelco.com • ASTORIA, N.Y. 11105-2017 • Tel (718) 956-8900			
PART NAME MICRO JACK, SOLDER MOUNT			
MATERIAL AS NOTED			
FINISH GOLD PLATE		DRN BY BOONE	DATE 2.5.07
		APP'D LN	SCALE 8X
TOLERANCES DECIMAL ANGULAR	INCH [MM] ± .005 [± 0.15] ± 1°	CODE C/M	DWG NO. 1414
UNLESS OTHERWISE SPECIFIED			