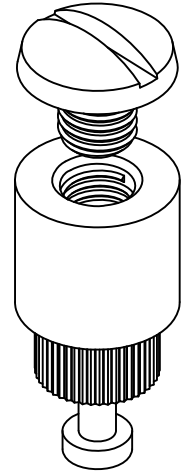
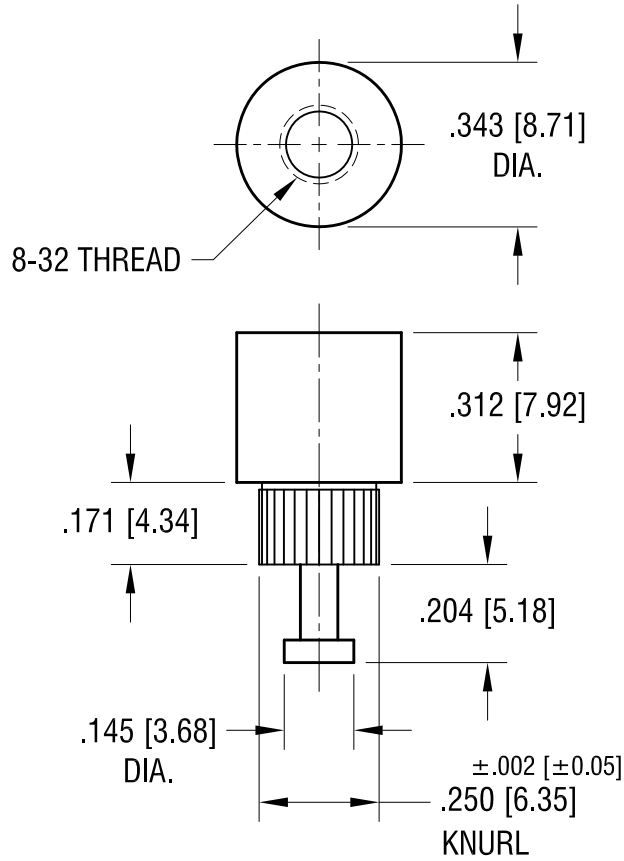


THIS DOCUMENT IS THE PROPERTY OF
KEYSTONE ELECTRONICS CORP. AND
SHALL NOT BE REPRODUCED, DISTRIBUTED
OR USED AS A BASIS FOR MANUFACTURE
WITHOUT PRIOR WRITTEN PERMISSION
FROM KEYSTONE ELECTRONICS CORP.



NOTES:

1. TERMINAL:
MAT'L - BRASS, MATTE TIN PLATE
SCREW:
MAT'L - STEEL, ZINC PLATE
2. (1) ONE 8-32 x 3/16 L.
SCREW SUPPLIED LOOSE.

KEYSTONE ELECTRONICS CORP.			
www.keyelco.com • ASTORIA, N.Y. 11105-2017 • Tel (718) 956-8900			
PART NAME			
BINDING POST SCREW TERMINAL			
MATERIAL			
AS NOTED			
FINISH		DRN BY	DATE
AS NOTED		BOONE	1.14.83
		APP'D	SCALE
		LN	2.5X
TOLERANCES	INCH [MM]	CODE	DWG NO.
DECIMAL	± .005 [± 0.15]	C	1536
ANGULAR	± 1°		
UNLESS OTHERWISE SPECIFIED			

7.16.09	CHANGE AS PER ECN 09-109	D
1.13.06	CHANGE AS PER ECN 06-005	C
DATE	DESCRIPTION	REV.