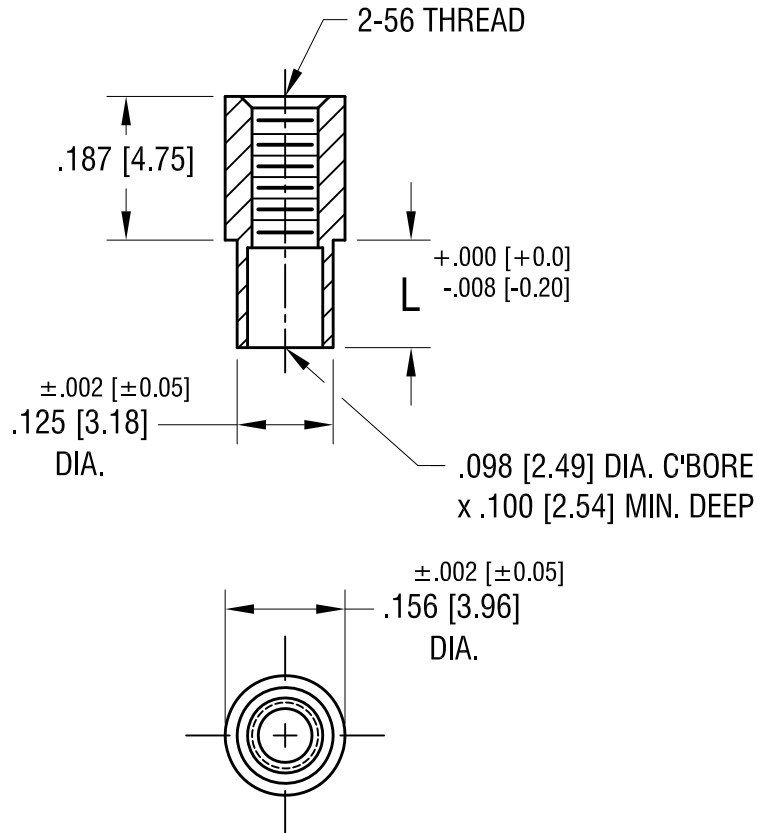


THIS DOCUMENT IS THE PROPERTY OF  
KEYSTONE ELECTRONICS CORP. AND  
SHALL NOT BE REPRODUCED, DISTRIBUTED  
OR USED AS A BASIS FOR MANUFACTURE  
WITHOUT PRIOR WRITTEN PERMISSION  
FROM KEYSTONE ELECTRONICS CORP.

**ACTUAL SIZE**



P/N 1590-2



PART NO.	'L' DIM.
1590-2	.109 [2.77]
1590-3	.140 [3.56]

DATE	DESCRIPTION	REV.
3.04.25	NO CHANGES TO PART.	C
11.19.21	SPECIFIED CHAMFER.	B
1.17.02	CHANGE AS PER ECN 02-005	A

<b>KEYSTONE ELECTRONICS CORP.</b>			
www.keyelco.com • NEW HYDE PARK NY 11040 • Tel (516)328-7500			
PART NAME			
SWAGE THREADED STANDOFF			
MATERIAL			
BRASS			
FINISH	DUCTILE NICKEL PLATE	DRN BY	BOONE
		DATE	3.12.98
		APP'D	RH
		SCALE	4X
TOLERANCES	INCH [MM]	CODE	DWG NO.
DECIMAL	± .005 [± 0.13]	C	<b>1590-</b>
ANGULAR	± 1°		
UNLESS OTHERWISE SPECIFIED			