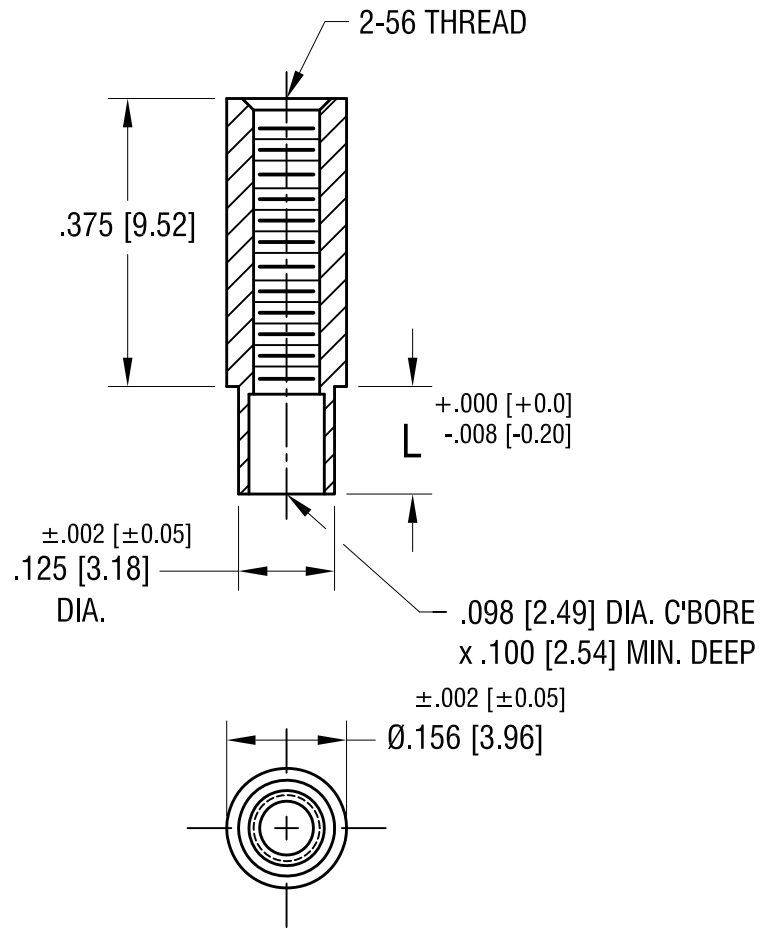


THIS DOCUMENT IS THE PROPERTY OF KEYSTONE ELECTRONICS CORP. AND SHALL NOT BE REPRODUCED, DISTRIBUTED OR USED AS A BASIS FOR MANUFACTURE WITHOUT PRIOR WRITTEN PERMISSION FROM KEYSTONE ELECTRONICS CORP.

ACTUAL SIZE



P/N 1596-2



| PART NO. | 'L' DIM. |
|----------|-------------|
| 1596-2 | .109 [2.77] |
| 1596-3 | .140 [3.56] |

| | | | |
|--|----------------------|--------|---------|
| KEYSTONE ELECTRONICS CORP. | | | |
| www.keyelco.com • NEW HYDE PARK NY 11040 • Tel (516)328-7500 | | | |
| PART NAME SWAGE THREADED STANDOFF | | | |
| MATERIAL BRASS | | | |
| FINISH | DUCTILE NICKEL PLATE | DRN BY | BOONE |
| | | APP'D | RH |
| | | DATE | 5.10.02 |
| | | SCALE | 4X |
| TOLERANCES | INCH [MM] | CODE | DWG NO. |
| DECIMAL | ± .005 [± 0.13] | C | 1596- |
| ANGULAR | ± 1° | | |
| UNLESS OTHERWISE SPECIFIED | | | |

| DATE | DESCRIPTION | REV. |
|----------|---------------------|------|
| 3.04.25 | NO CHANGES TO PART. | B |
| 11.19.21 | SPECIFIED CHAMFER. | A |