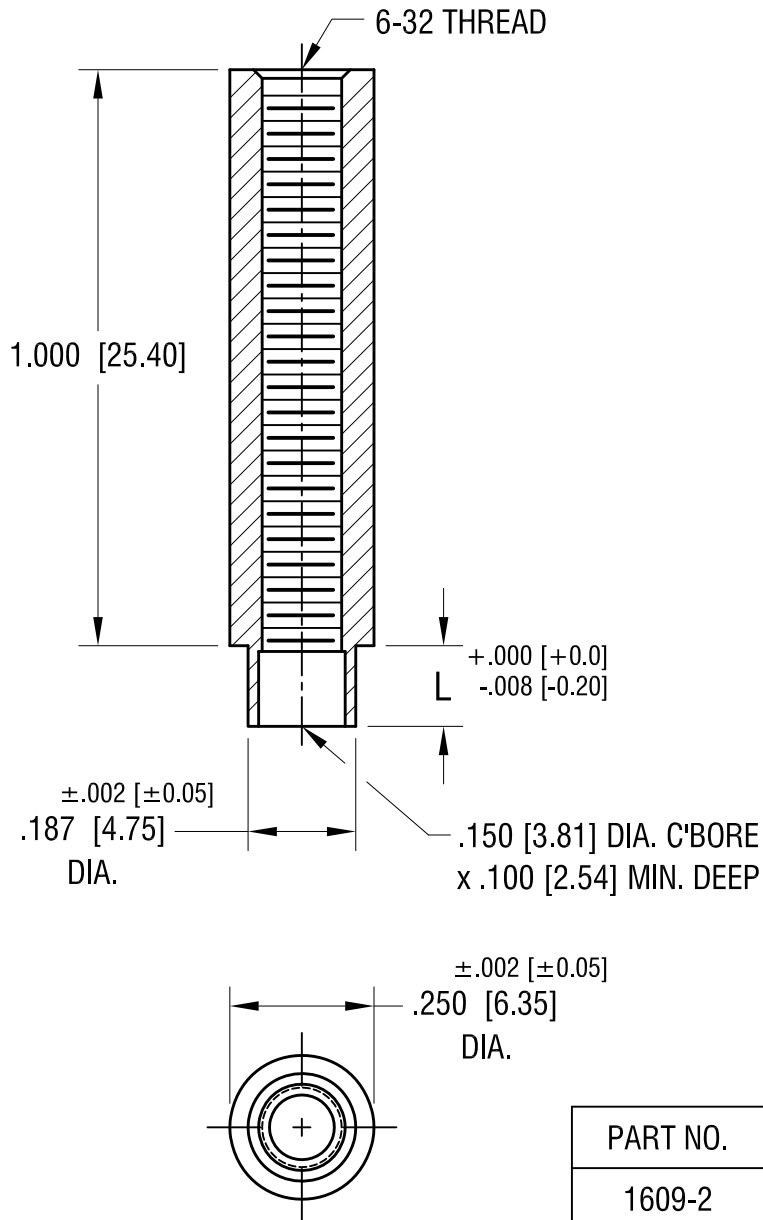
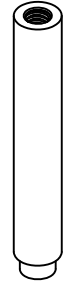


THIS DOCUMENT IS THE PROPERTY OF
KEYSTONE ELECTRONICS CORP. AND
SHALL NOT BE REPRODUCED, DISTRIBUTED
OR USED AS A BASIS FOR MANUFACTURE
WITHOUT PRIOR WRITTEN PERMISSION
FROM KEYSTONE ELECTRONICS CORP.



ACTUAL SIZE



P/N 1609-2

PART NO.	'L' DIM.
1609-2	.109 [2.77]
1609-3	.140 [3.56]
1609-4	.171 [4.34]

DATE	DESCRIPTION	REV.
6.27.24	NO CHANGES TO PART.	B
11.22.21	CHANGE AS PER ECN 02-171	A

KEYSTONE ELECTRONICS CORP.			
www.keyelco.com • NEW HYDE PARK NY 11040 • Tel (516)328-7500			
PART NAME			
SWAGE THREADED STANDOFF			
MATERIAL			
BRASS			
FINISH	DUCTILE NICKEL PLATE	DRN BY BOONE	DATE 5.14.02
		APP'D RH	SCALE 3X
TOLERANCES	INCH [MM]	CODE	DWG NO.
DECIMAL	± .005 [± 0.13]	C	1609-
ANGULAR	± 1°		
UNLESS OTHERWISE SPECIFIED			