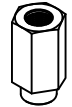
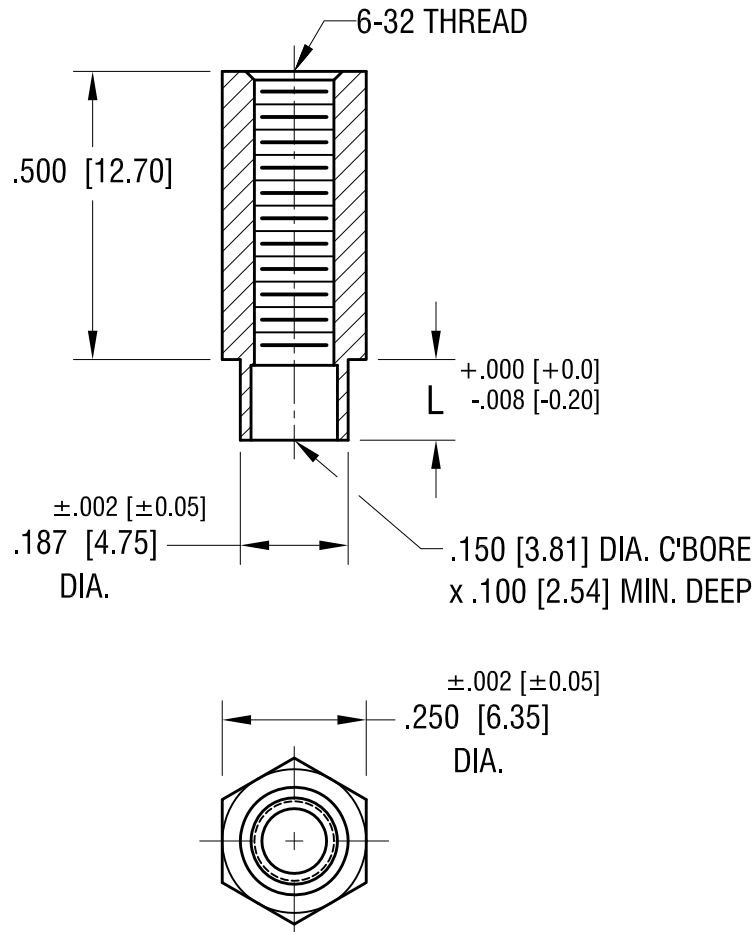


THIS DOCUMENT IS THE PROPERTY OF
KEYSTONE ELECTRONICS CORP. AND
SHALL NOT BE REPRODUCED, DISTRIBUTED
OR USED AS A BASIS FOR MANUFACTURE
WITHOUT PRIOR WRITTEN PERMISSION
FROM KEYSTONE ELECTRONICS CORP.

ACTUAL SIZE



P/N 1758-2



PART NO.	'L' DIM.
1758-2	.109 [2.77]
1758-3	.140 [3.56]

KEYSTONE ELECTRONICS CORP.

www.keyelco.com • NEW HYDE PARK NY 11040 • Tel (516)328-7500

PART NAME

SWAGE THREADED STANDOFF

MATERIAL

BRASS

FINISH DUCTILE
NICKEL PLATE

DRN BY BOONE

DATE 6.11.01

APP'D LN

SCALE 3X

TOLERANCES INCH [MM]
DECIMAL $\pm .005$ [± 0.13]
ANGULAR $\pm 1^\circ$
UNLESS OTHERWISE SPECIFIED

CODE DWG NO.

C

1758-

11.22.21	CHANGE AS PER ECN 21-173	C
4.30.15	P/N 1758-4 WAS DISCONTINUED CHANGE AS PER ECN 15-044	B
5.14.02	CHANGE AS PER ECN 02-051	A
DATE	DESCRIPTION	REV.