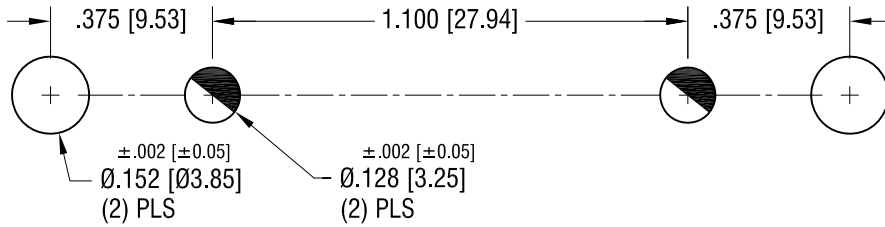
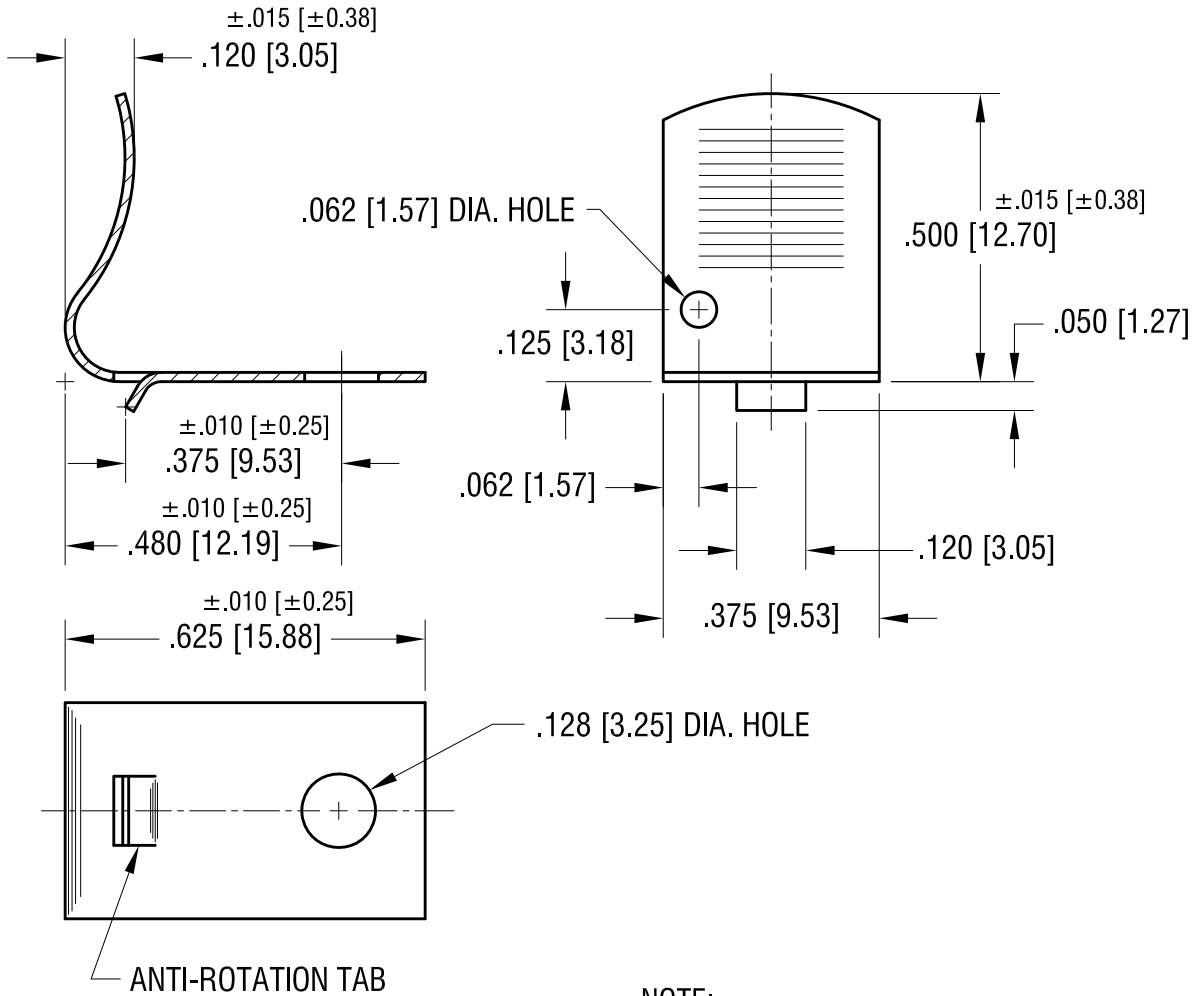
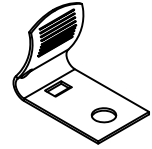


THIS DOCUMENT IS THE PROPERTY OF KEYSTONE ELECTRONICS CORP. AND SHALL NOT BE REPRODUCED, DISTRIBUTED OR USED AS A BASIS FOR MANUFACTURE WITHOUT PRIOR WRITTEN PERMISSION FROM KEYSTONE ELECTRONICS CORP.

**MOUNTING LAYOUT**



**ACTUAL SIZE**



**NOTE:**  
1. HEAT TREAT TO SPRING TEMPER.

|          |  |      |
|----------|--|------|
| 11.30.23 | UPDATE MTG. LAYOUT<br>CHANGE AS PER ECN 23-300 | F    |
| 4.23.01  | CHANGE AS PER ECN 01-027                       | E    |
| DATE     | DESCRIPTION                                    | REV. |

|  |                 |  |         |
|--|-----------------|--|---------|
| <b>KEYSTONE ELECTRONICS CORP.</b>                            |                 |  |         |
| www.keyelco.com • NEW HYDE PARK NY 11040 • Tel (516)328-7500 |                 |  |         |
| PART NAME  |                 | 'AA' BATTERY CLIP                      |         |
| MATERIAL   |                 | .016 [0.40] TH'K ANNEALED SPRING STEEL |         |
| FINISH   |                 | DRN BY                                 | DATE    |
| NICKEL PLATE   |                 | BOONE                                  | 1.29.82 |
|  |                 | APP'D                                  | SCALE   |
|  |                 | <b>MR</b>                              | 3X      |
| TOLERANCES   | INCH [MM]       | CODE                                   | DWG NO. |
| DECIMAL  | ± .005 [± 0.13] | C                                      | 206     |
| ANGULAR  | ± 1°            |  |         |
| UNLESS OTHERWISE SPECIFIED                                   |                 |  |         |