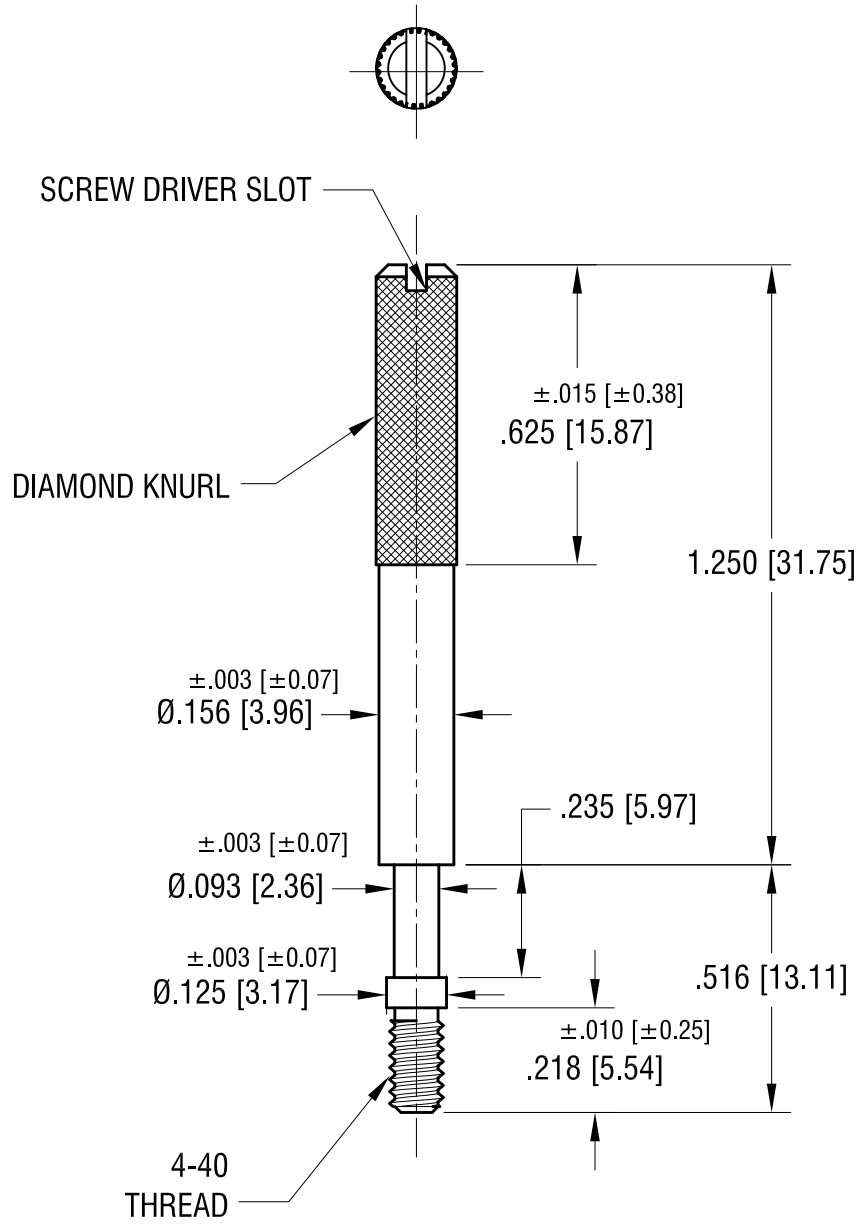


THIS DOCUMENT IS THE PROPERTY OF
KEYSTONE ELECTRONICS CORP. AND
SHALL NOT BE REPRODUCED, DISTRIBUTED
OR USED AS A BASIS FOR MANUFACTURE
WITHOUT PRIOR WRITTEN PERMISSION
FROM KEYSTONE ELECTRONICS CORP.



ACTUAL SIZE

KEYSTONE ELECTRONICS CORP.			
www.keyelco.com • NEW HYDE PARK NY 11040 • Tel (516)328-7500			
PART NAME		JACK SCREW, TURNABLE	
MATERIAL		STEEL	
FINISH		DRN BY	DATE
NICKEL PLATE		BOONE	10.28.99
		APP'D	SCALE
TOLERANCES INCH [MM]		CODE	DWG NO.
ANGULAR ± 1°		2069	
UNLESS OTHERWISE SPECIFIED			

12.18.23	CHANGE AS PER ECN 23-317	B
1.04.00	CHANGE AS PER ECR 00-003	A
DATE	DESCRIPTION	REV.