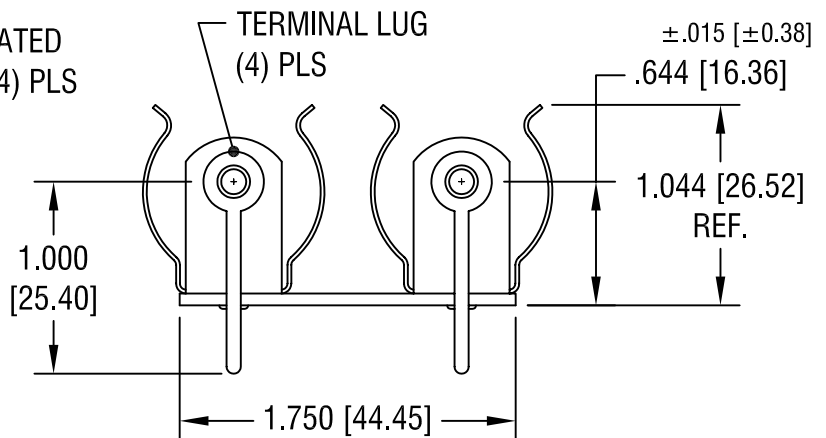
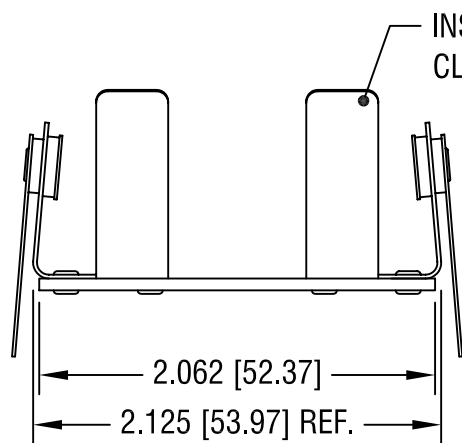
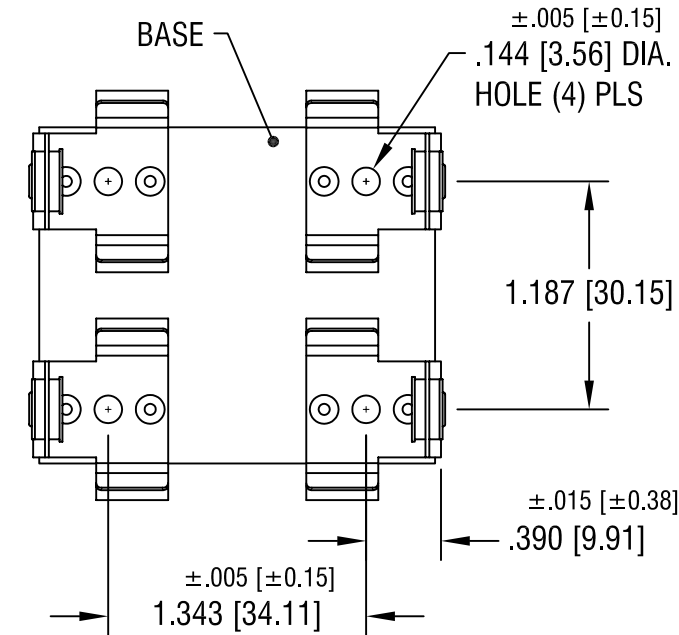
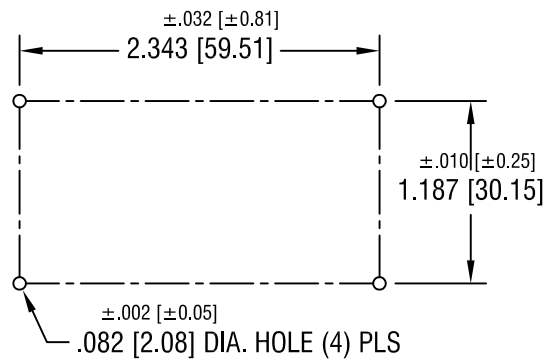


THIS DOCUMENT IS THE PROPERTY OF KEYSTONE ELECTRONICS CORP. AND SHALL NOT BE REPRODUCED, DISTRIBUTED OR USED AS A BASIS FOR MANUFACTURE WITHOUT PRIOR WRITTEN PERMISSION FROM KEYSTONE ELECTRONICS CORP.

RECOMMENDED SPACING FOR PC LUGS



NOTES:

1. BASE: MAT'L - .062 [1.57] TH'K PHENOLIC

CLIP: MAT'L - SPRING STEEL  
FINISH - NICKEL PLATE

LUG: MAT'L - BRASS  
FINISH - TIN PLATE

**KEYSTONE ELECTRONICS CORP.**

ASTORIA, N.Y. 11105-2017

PART NAME			
INSULATED BATTERY HOLDER (2) 'C'			
MATERIAL			
AS NOTED			
FINISH		DRN BY	DATE
AS NOTED		BOONE	6.6.07
		APP'D	SCALE
		LN	1X
TOLERANCES		CODE	
INCH	[MM]	DWG NO.	
DECIMAL	±.010 [±0.25]	C	
ANGULAR	± 1°	2231	
UNLESS OTHERWISE SPECIFIED			

DATE	DESCRIPTION	REV.