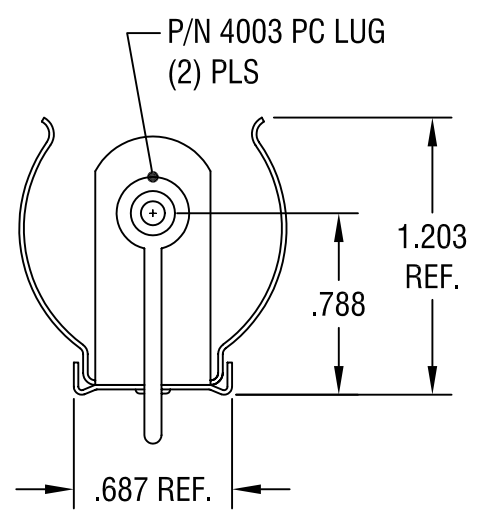
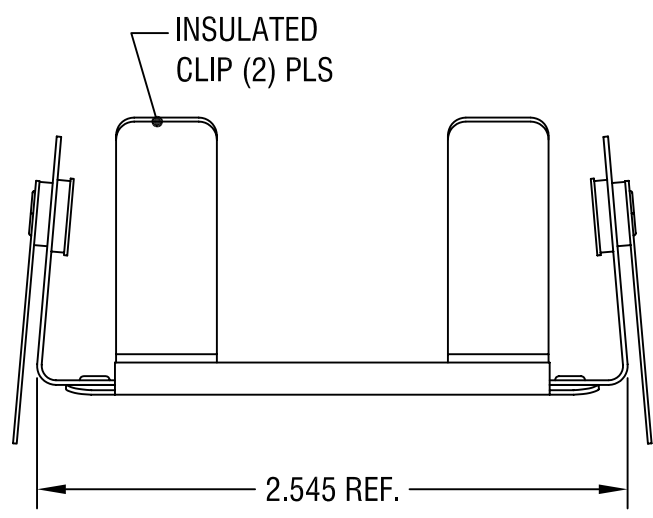
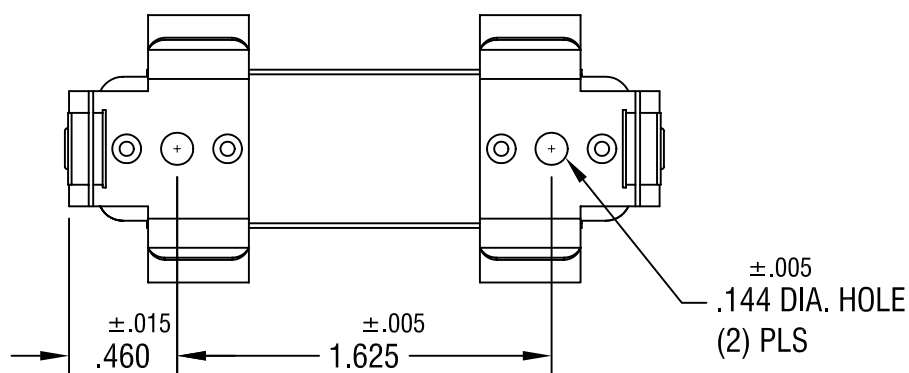
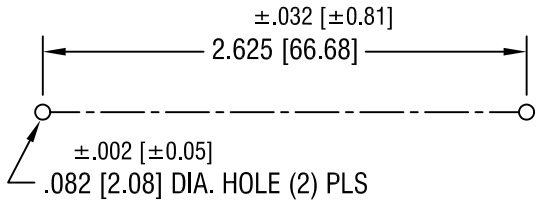


THIS DOCUMENT IS THE PROPERTY OF KEYSTONE ELECTRONICS CORP. AND SHALL NOT BE REPRODUCED, DISTRIBUTED OR USED AS A BASIS FOR MANUFACTURE WITHOUT PRIOR WRITTEN PERMISSION FROM KEYSTONE ELECTRONICS CORP.

RECOMMENDED SPACING FOR PC LUGS



NOTES:

- 1. BASE: MAT'L - STAINLESS STEEL
- CLIP: MAT'L - SPRING STEEL
- FINISH - NICKEL PLATE
- LUG: MAT'L - BRASS
- FINISH - TIN PLATE

4.14.04	CHANGE AS PER ECN 04-026	A
DATE	DESCRIPTION	REV.

KEYSTONE ELECTRONICS CORP.			
ASTORIA, N.Y. 11105-2017			
PART NAME			
INSULATED BATTERY HOLDER (1) 'D'			
MATERIAL			
AS NOTED			
FINISH		DRN BY	DATE
AS NOTED		BOONE	8.9.82
		APPD	SCALE
			1.2X
TOLERANCES	INCH [MM]	CODE	DWG NO.
DECIMAL	±.010 [±0.25]	C	2232
ANGULAR	± 1°		
UNLESS OTHERWISE SPECIFIED			