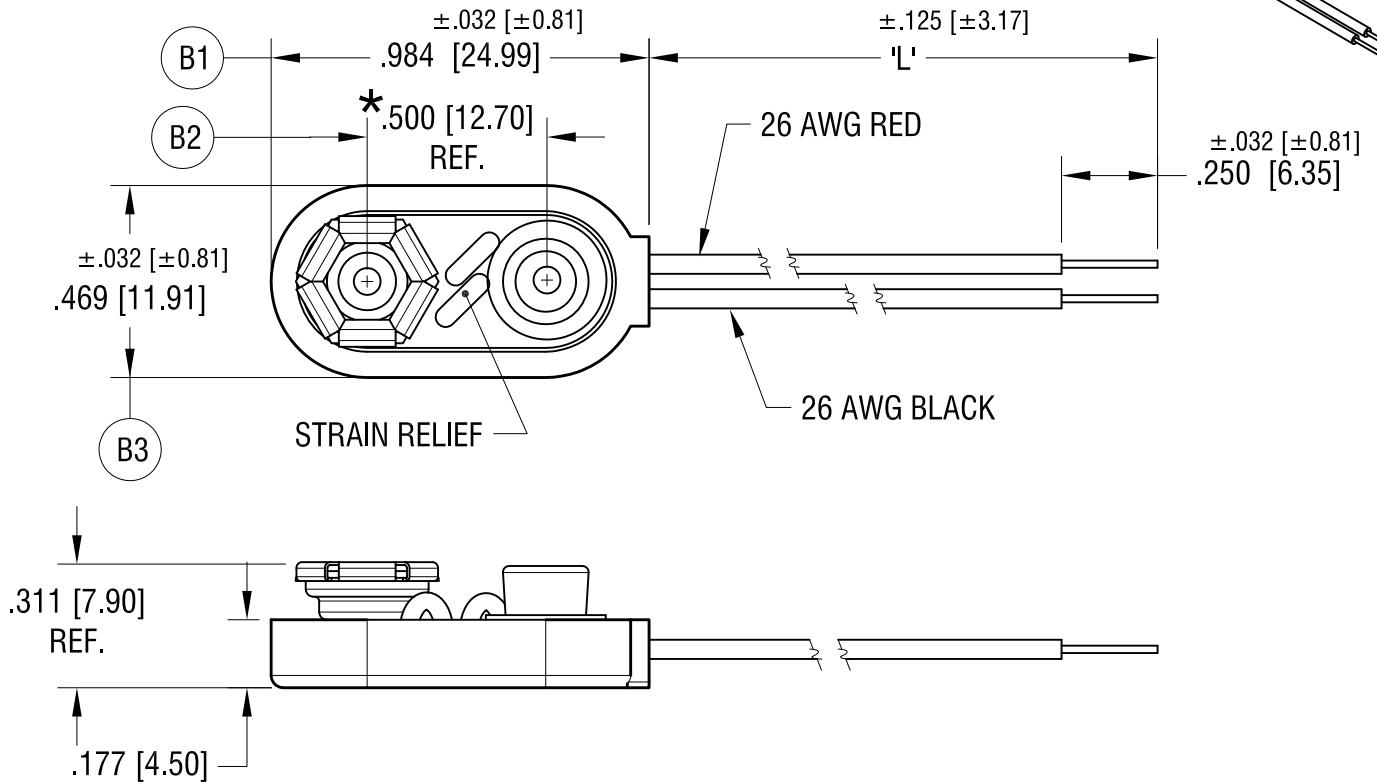
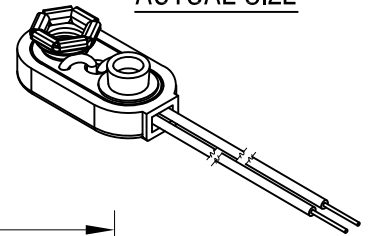


THIS DOCUMENT IS THE PROPERTY OF KEYSTONE ELECTRONICS CORP. AND SHALL NOT BE REPRODUCED, DISTRIBUTED OR USED AS A BASIS FOR MANUFACTURE WITHOUT PRIOR WRITTEN PERMISSION FROM KEYSTONE ELECTRONICS CORP.

ACTUAL SIZE



NOTE:

- MAT'L:  
WIRE: 26 AWG, 1007 UL/CSA APPROVED  
CONTACTS: BRASS, NICKEL PLATE  
COVER: PVC RESIN, BLACK COLOR
- RED WIRE CONNECTED TO FEMALE CONTACT;  
BLACK WIRE CONNECTED TO MALE CONTACT.
- ★ REF. DIMENSION MUST FIT  
INDUSTRY STANDARD 9 VOLT BATTERY.

PART NO.	'L' DIM.
232-M	4.000 [101.60]
233-M	6.000 [152.40]
234-M	8.000 [203.20]

DATE	DESCRIPTION	REV.
8.16.22	INSULATION COVER MAT'L WAS ABS CHANGE AS PER ECN 22-142	C
8.11.21	ADD NOTE TO (B2.), (B3) WAS .469±.020 ECN 21-083 (B1) WAS .984±.020	B
6.08.21	ECN 21-049 SPLIT C/M TO C&M	A

**KEYSTONE ELECTRONICS CORP.**  
www.keyelco.com • NEW HYDE PARK, NY 11040 • Tel (516) 328-7500

PART NAME  
**MOLDED ECONOMY '9' VOLT BATTERY STRAP**

MATERIAL  
**AS NOTED**

FINISH  
**AS NOTED**

DRN BY BOONE DATE 11.11.05  
APP'D LN SCALE 2X

TOLERANCES INCH [MM]  
DECIMAL ±.020 [±0.50]  
ANGULAR ± 1°  
UNLESS OTHERWISE SPECIFIED

CODE  
**C**

DWG NO.  
**232-M - 234-M**