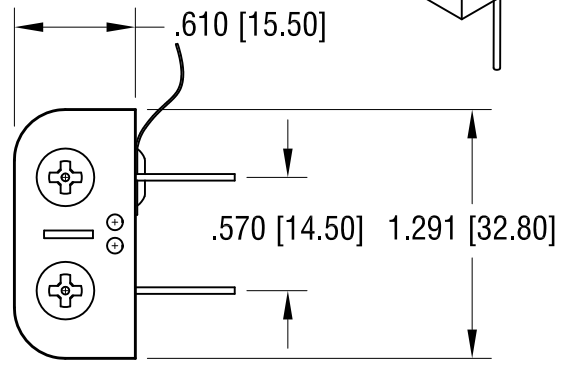
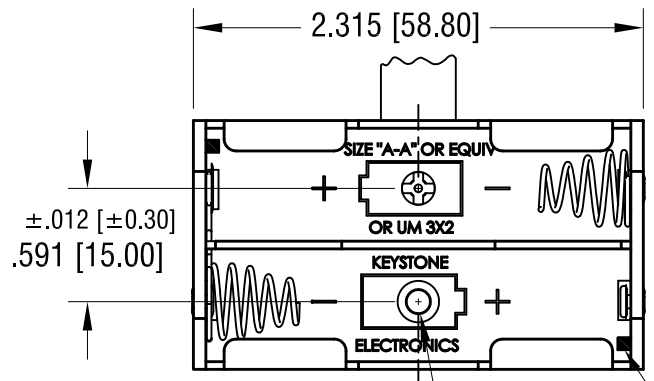
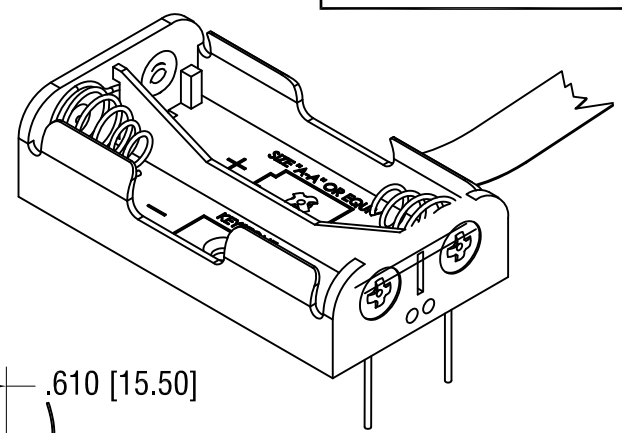
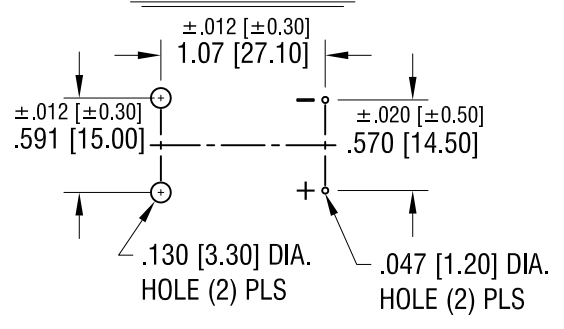


THIS DOCUMENT IS THE PROPERTY OF KEYSTONE ELECTRONICS CORP. AND SHALL NOT BE REPRODUCED, DISTRIBUTED OR USED AS A BASIS FOR MANUFACTURE WITHOUT PRIOR WRITTEN PERMISSION FROM KEYSTONE ELECTRONICS CORP.

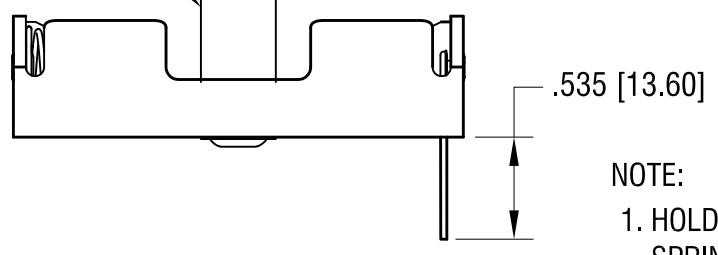
MOUNTING DETAIL



±.004 [±0.10]
 Ø.126 [Ø3.20]
 (2) PLS. DIA HOLE
 WITH LEAD IN
 CHAMFER.

BATTERY POLARITY
 TAB (2) PLS

RIBBON FOR BATTERY
 REMOVAL



- NOTE:
- HOLDER: MAT'L: POLYPROPYLENE
 SPRING: MAT'L: MUSIC WIRE, .025 [0.63] DIA.
 PC TERMINALS: MAT'L: BRASS, .032 [0.81] DIA.
 RIBBON: MAT'L: NYLON, RED

KEYSTONE ELECTRONICS CORP.			
www.keyelco.com • NEW HYDE PARK, NY 11040 • Tel (516) 328-7500			
PART NAME			
PC BATTERY HOLDER (2) 'AA' W/ RIBBON			
MATERIAL			
AS NOTED			
FINISH		DRN BY	DATE
NICKEL PLATE		BOONE	12.01.03
		APP'D	SCALE
		RH	1X
TOLERANCES	INCH	[MM]	CODE
DECIMAL	± .020	[± 0.50]	DWG NO.
ANGULAR	± 1°		2462RB
UNLESS OTHERWISE SPECIFIED			C

1.07.25	UPDATE DIMENSIONS&TOLERANCES.	H
5.08.24	UPDATE DIMENSIONS&TOLERANCES.	G
DATE	DESCRIPTION	REV.