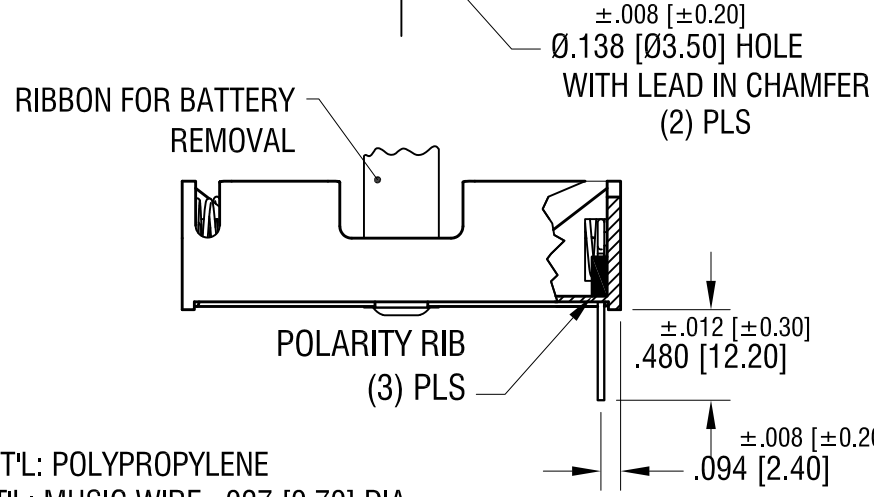
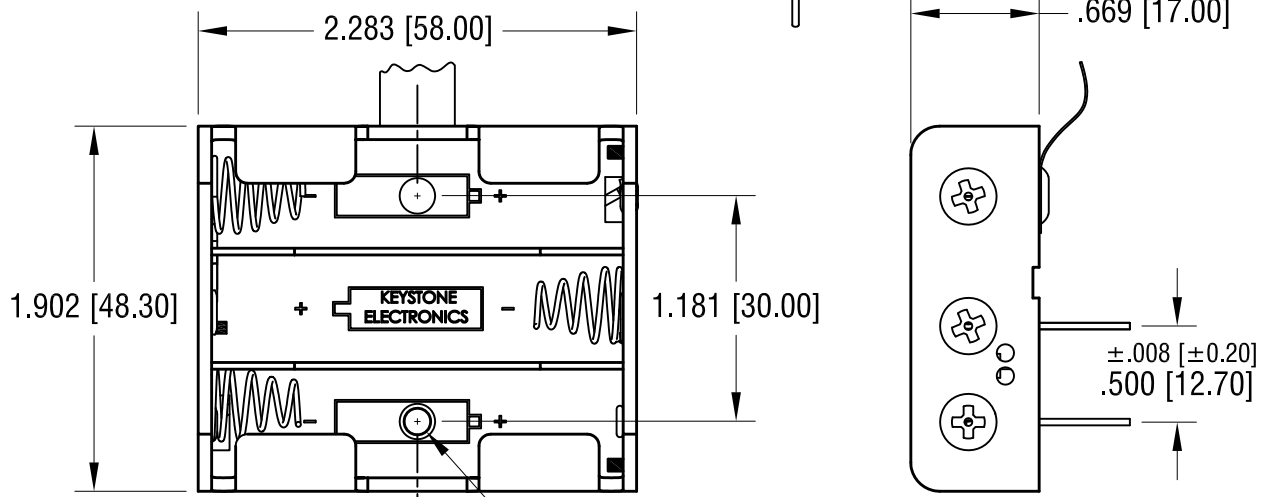
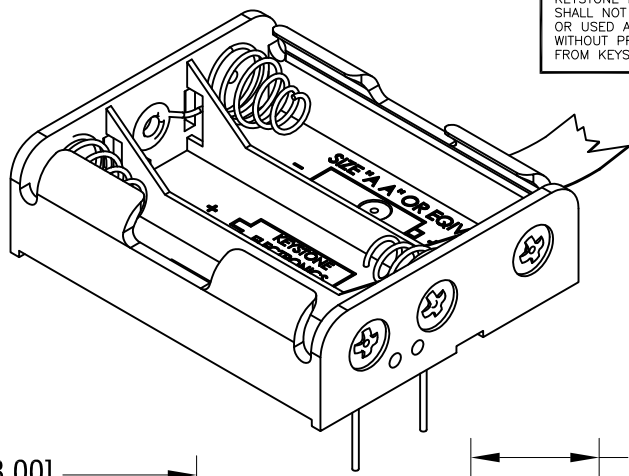
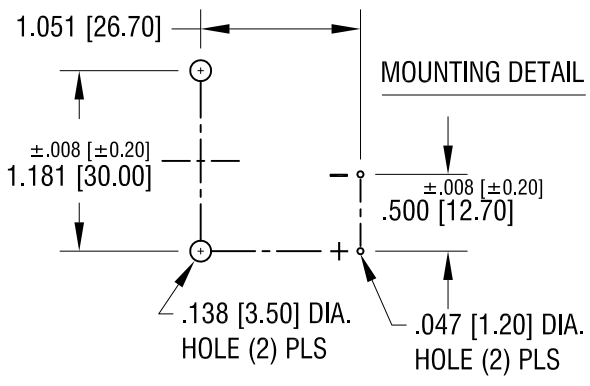


THIS DOCUMENT IS THE PROPERTY OF KEYSTONE ELECTRONICS CORP. AND SHALL NOT BE REPRODUCED, DISTRIBUTED OR USED AS A BASIS FOR MANUFACTURE WITHOUT PRIOR WRITTEN PERMISSION FROM KEYSTONE ELECTRONICS CORP.



- NOTE:
1. HOLDER: MAT'L: POLYPROPYLENE
  2. SPRING: MAT'L: MUSIC WIRE, .027 [0.70] DIA.
  3. PC TERMINALS: MAT'L: BRASS, .032 [0.81] DIA.
  4. RIBBON: MAT'L: NYLON, RED

<b>KEYSTONE ELECTRONICS CORP.</b>			
www.keyelco.com • NEW HYDE PARK, NY 11040 • Tel (516) 328-7500			
PART NAME PC BATTERY HOLDER (3) 'AA' W/ RIBBON			
MATERIAL AS NOTED			
FINISH NICKEL PLATE		DRN BY BOONE	DATE 12.01.03
		APP'D RH	SCALE 1X
TOLERANCES	INCH [MM]	CODE	DWG NO.
DECIMAL	± .020 [± 0.50]	C	<b>2464RB</b>
ANGULAR	± 1°		
UNLESS OTHERWISE SPECIFIED			

1.09.25	UPDATE DIMENSIONS&TOLERANCES.	C
	B1 WAS .130 [3.30]±.005 [±0.13]	
6.13.22	CHANGE AS PER ECN 21-089	B
2.08.22	SHOW POLARITY STOPPER A1 CHANGE AS PER ECN 22-033	A
DATE	DESCRIPTION	REV.