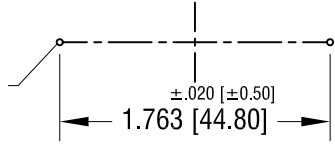


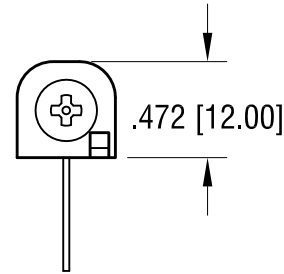
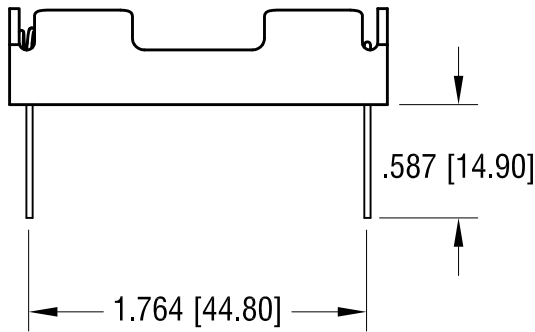
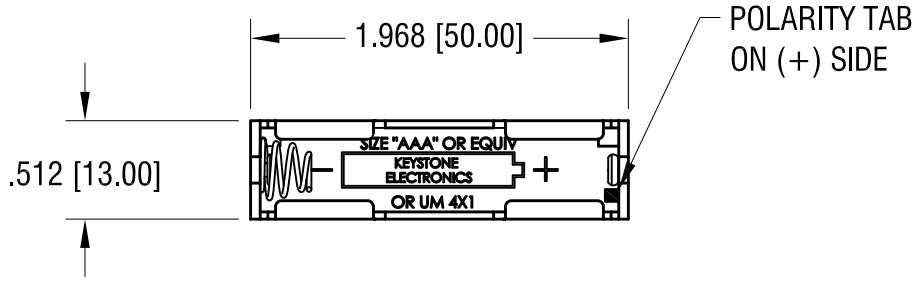
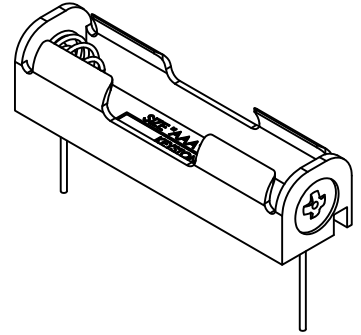
THIS DOCUMENT IS THE PROPERTY OF KEYSTONE ELECTRONICS CORP. AND SHALL NOT BE REPRODUCED, DISTRIBUTED OR USED AS A BASIS FOR MANUFACTURE WITHOUT PRIOR WRITTEN PERMISSION FROM KEYSTONE ELECTRONICS CORP.

MOUNTING DETAIL

.047 [1.20] DIA.
HOLE (2) PLS



ACTUAL SIZE



NOTE:

1. HOLDER: MAT'L: POLYPROPYLENE
2. SPRING: MAT'L: MUSIC WIRE, .024 [0.60] DIA.
FINISH- NICKEL PLATE
3. PC TERMINALS: MAT'L: BRASS, .032 [0.81] DIA.
FINISH- NICKEL PLATE

1.06.25	UPDATE DIMENSIONS & TOLERANCES.	E
12.03.21	AS PER ECN 22-049 ADD POLATITY TAB	D
8.21.19	ECN19-071 REMOVE KEYSTONE NAME PART IS BACK TO REV.A BY DESIGN	C
1.3.18	ECN 18-001 ADD KEYSTONE NAME TO THE BOTTOM OF THE BASE (B1)	B
11.17.99	CHANGE AS PER ECN 99-091	A
DATE	DESCRIPTION	REV.

KEYSTONE ELECTRONICS CORP.			
www.keyelco.com • NEW HYDE PARK, NY 11040 • Tel (516) 328-7500			
PART NAME PC BATTERY HOLDER (1) 'AAA'			
MATERIAL AS NOTED			
FINISH NICKEL PLATE		DRN BY BOONE	DATE 11.02.95
		APP'D RH	SCALE 1X
TOLERANCES	INCH [MM]	CODE	DWG NO.
DECIMAL	± .020 [± 0.50]	C	2466
ANGULAR	± 1°		
UNLESS OTHERWISE SPECIFIED			