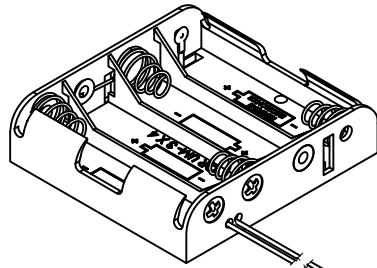
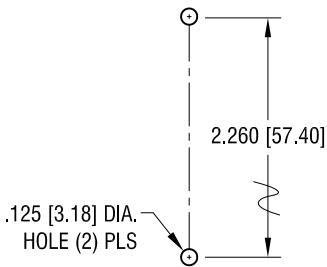


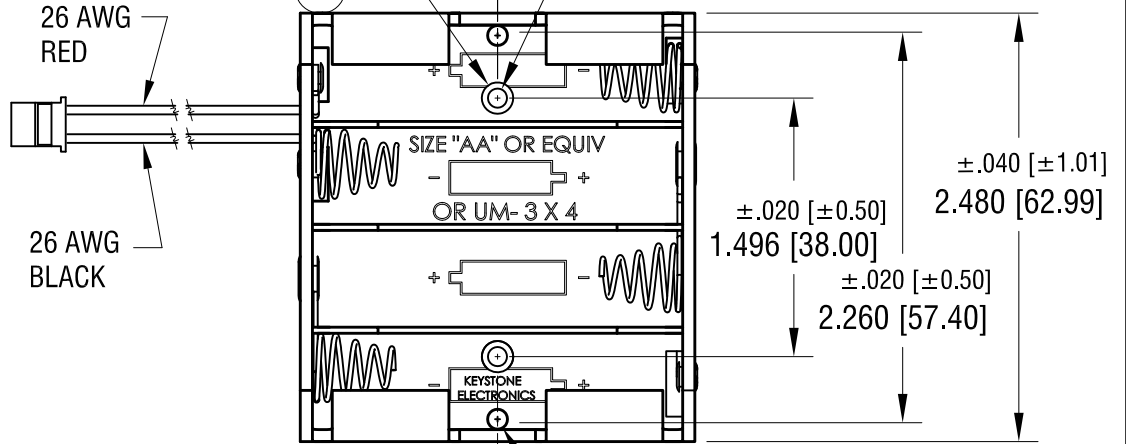
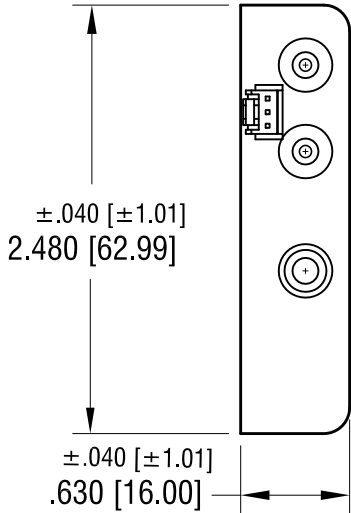
THIS DOCUMENT IS THE PROPERTY OF KEYSTONE ELECTRONICS CORP. AND SHALL NOT BE REPRODUCED, DISTRIBUTED OR USED AS A BASIS FOR MANUFACTURE WITHOUT PRIOR WRITTEN PERMISSION FROM KEYSTONE ELECTRONICS CORP.

MOUNTING DETAIL

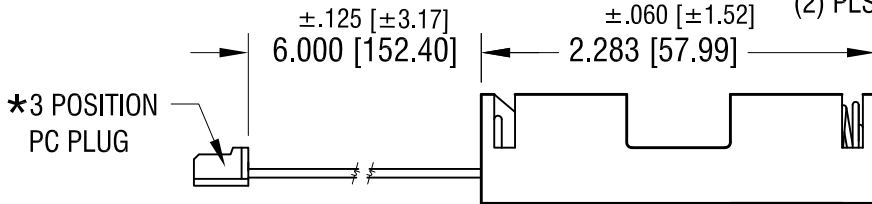


$\pm .008$  [ $\pm 0.20$ ]  
 $\varnothing .181$  [ $\varnothing 4.60$ ]  
 (2) COUNTER SINK

C1  
 $\pm .008$  [ $\pm 0.20$ ]  
 $\varnothing .110$  [ $\varnothing 2.80$ ]  
 (2) PLS HOLE



$\pm .005$  [ $\pm 0.13$ ]  
 $\varnothing .115$  [ $\varnothing 2.92$ ] HOLE  
 (2) PLS



NOTE:

1. HOLDER: MAT'L: POLYPROPYLENE
2. SPRING: MAT'L: MUSIC WIRE, .027 [0.70] DIA.  
 FINISH: NICKEL PLATE
3. CONNECTOR: MAT'L - PA 66, UL94V-0  
 COLOR- NATURAL
4. POSITIVE (RED) CONNECTED TO PIN 1  
 NEGATIVE (BLACK) CONNECTED TO PIN 3

\*USE : P/N'S 974,975, 976 OR 977 FOR P.C. CONNECTOR

<b>KEYSTONE ELECTRONICS CORP.</b>			
www.keyelco.com • NEW HYDE PARK, NY 11040 • Tel (516) 328-7500			
PART NAME		BATTERY HOLDER (4) 'AA'	
MATERIAL		AS NOTED	
FINISH	AS NOTED	DRN BY	NT
		DATE	4.08.16
		APP'D	LN
		SCALE	.9X
TOLERANCES	INCH [MM]	CODE	DWG NO.
DECIMAL	$\pm .015$ [ $\pm 0.38$ ]	C	2478CN
ANGULAR	$\pm 1^\circ$		
UNLESS OTHERWISE SPECIFIED			

3.26.19	ECN 19-041 ADD (A1) AND (A2)	A
DATE	DESCRIPTION	REV.