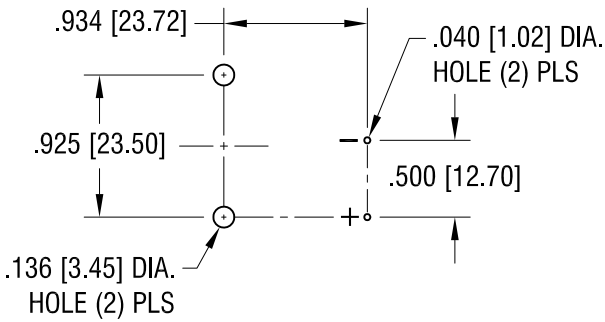
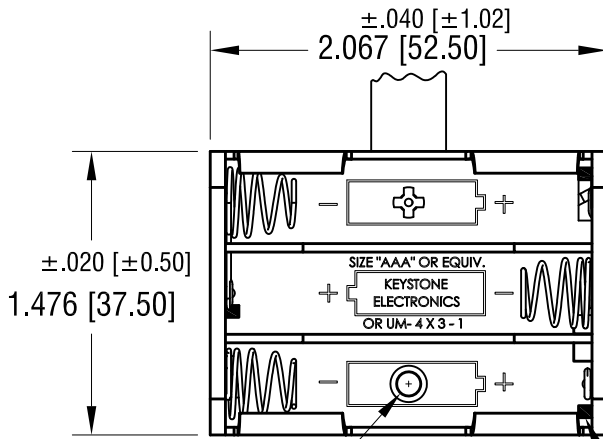
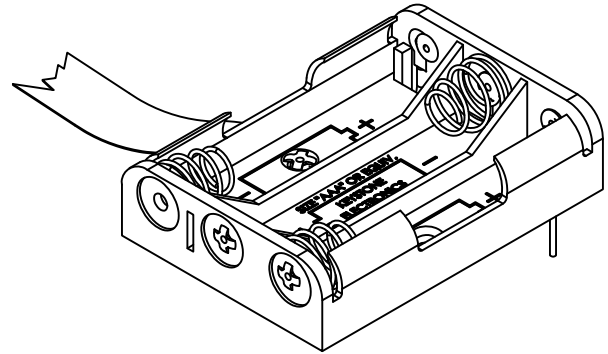


THIS DOCUMENT IS THE PROPERTY OF
KEYSTONE ELECTRONICS CORP. AND
SHALL NOT BE REPRODUCED, DISTRIBUTED
OR USED AS A BASIS FOR MANUFACTURE
WITHOUT PRIOR WRITTEN PERMISSION
FROM KEYSTONE ELECTRONICS CORP.

MOUNTING DETAIL

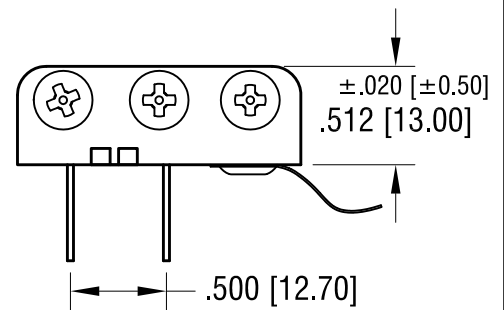
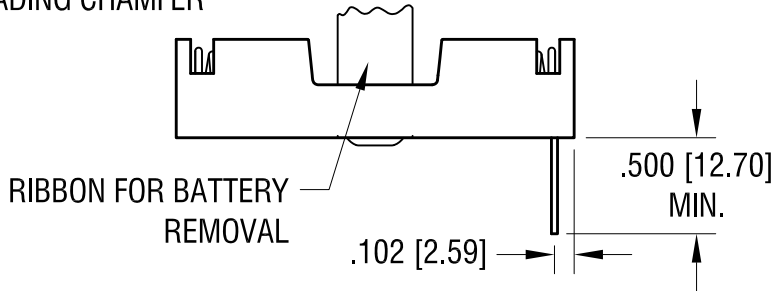


ACTUAL SIZE



POLARITY TAB (3) PLS

±.008 [±0.20]
Ø.126 [Ø3.20] HOLE
WITH LEADING CHAMFER



NOTE:

1. HOLDER: MAT'L: POLYPROPYLENE
2. SPRING: MAT'L: MUSIC WIRE, .024 [0.60] DIA.
FINISH- NICKEL PLATE
3. PC TERMINALS: MAT'L: BRASS, .032 [0.80] DIA.
FINISH- NICKEL PLATE
4. RIBBON: MAT'L: NYLON, RED

KEYSTONE ELECTRONICS CORP.

www.keyelco.com • NEW HYDE PARK NY 11040 • Tel (516)328-7500

PART NAME PC BATTERY HOLDER (3) 'AAA' W/RIBBON			
MATERIAL AS NOTED			
FINISH AS NOTED		DRN BY BOONE	DATE 12.01.03
		APP'D RH	SCALE 1X
TOLERANCES DECIMAL ANGULAR	INCH [MM] ±.010 [±0.25] ± 1°	CODE C	DWG NO. 2479RB
UNLESS OTHERWISE SPECIFIED			

12.16.21	CHANGE AS PER ECN 21-186	C
6.25.09	CHANGE AS PER ECN 09-084	B
12.17.07	CHANGE AS PER ECN 07-087	A
DATE	DESCRIPTION	REV.