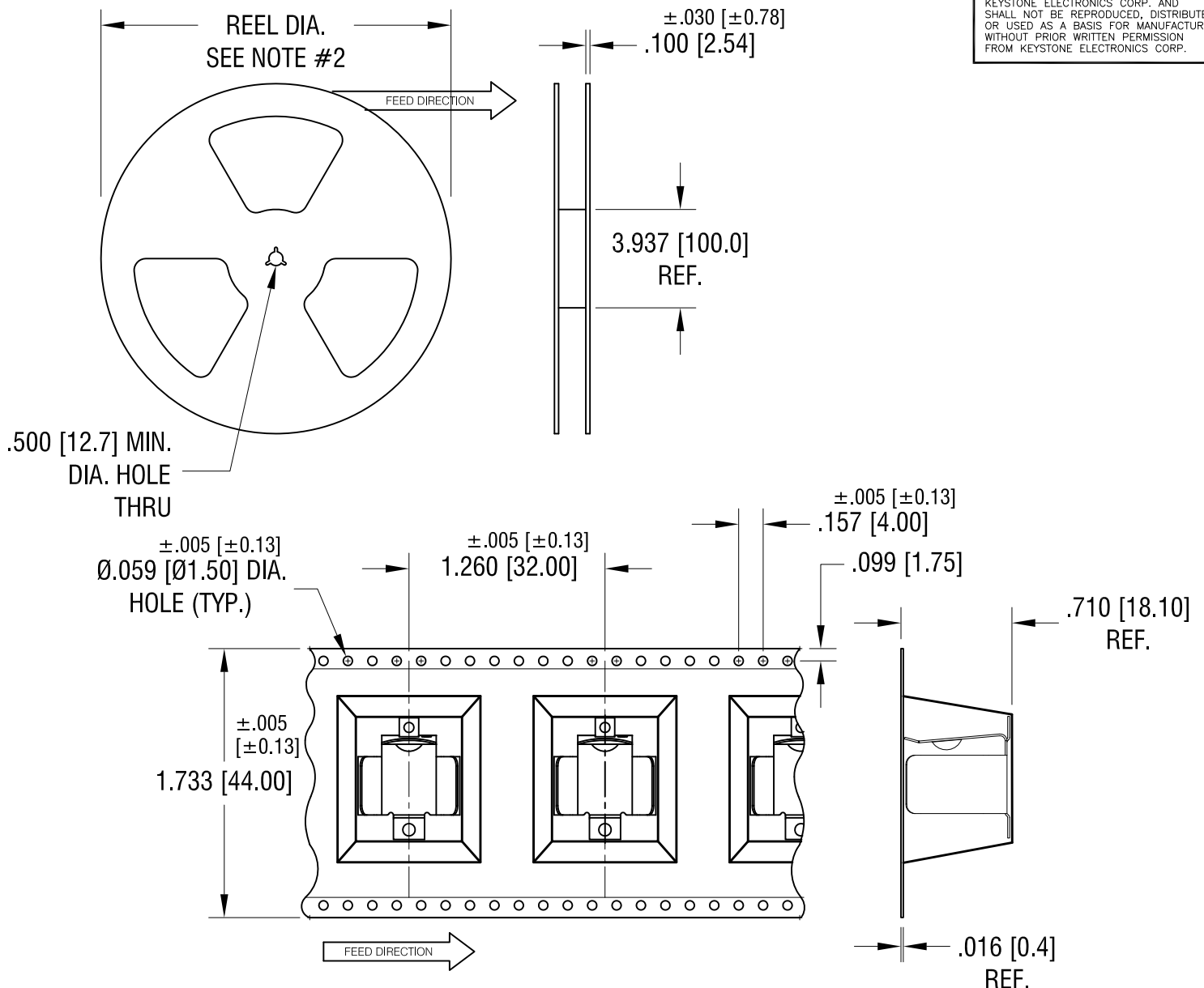


THIS DOCUMENT IS THE PROPERTY OF KEYSTONE ELECTRONICS CORP. AND SHALL NOT BE REPRODUCED, DISTRIBUTED OR USED AS A BASIS FOR MANUFACTURE WITHOUT PRIOR WRITTEN PERMISSION FROM KEYSTONE ELECTRONICS CORP.



NOTES:

TAPE AND REEL SPECIFICATIONS:

1. TAPE:

MAT'L - ALL CONDUCTIVE POLYSTYRENE CARRIER
ANSI/EIA-481 STANDARD

2. REEL:

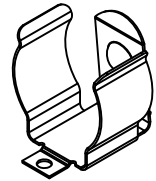
15.0 [380.8] DIA. 75 PIECES
OF PART NO. 254 REV.C PER REEL.

9.15.23	P/N 254 REVISED TO REV.C POCKET DESIGN FOR NEW REV.C CHANGE AS PER ECN 23-157	B
9.20.18	ROTATE POCKET ON 180° CHANGE AS PER ECN 18-036	A
DATE	DESCRIPTION	REV.

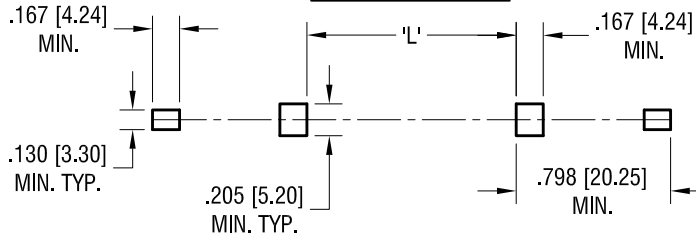
KEYSTONE ELECTRONICS CORP.			
www.keyelco.com • NEW HYDE PARK, NY 11040 • Tel (516) 328-7500			
PART NAME BATTERY HOLDER ON TAPE AND REEL			
MATERIAL AS NOTED			
FINISH AS NOTED		DRN BY NT	DATE 3.01.18
		APP'D RH	SCALE X
TOLERANCES DECIMAL ANGULAR	INCH [MM] ±.015 [±0.38] ± 1°	CODE C	DWG NO. 254TR
UNLESS OTHERWISE SPECIFIED			

THIS DOCUMENT IS THE PROPERTY OF KEYSTONE ELECTRONICS CORP. AND SHALL NOT BE REPRODUCED, DISTRIBUTED OR USED AS A BASIS FOR MANUFACTURE WITHOUT PRIOR WRITTEN PERMISSION FROM KEYSTONE ELECTRONICS CORP.

ACTUAL SIZE

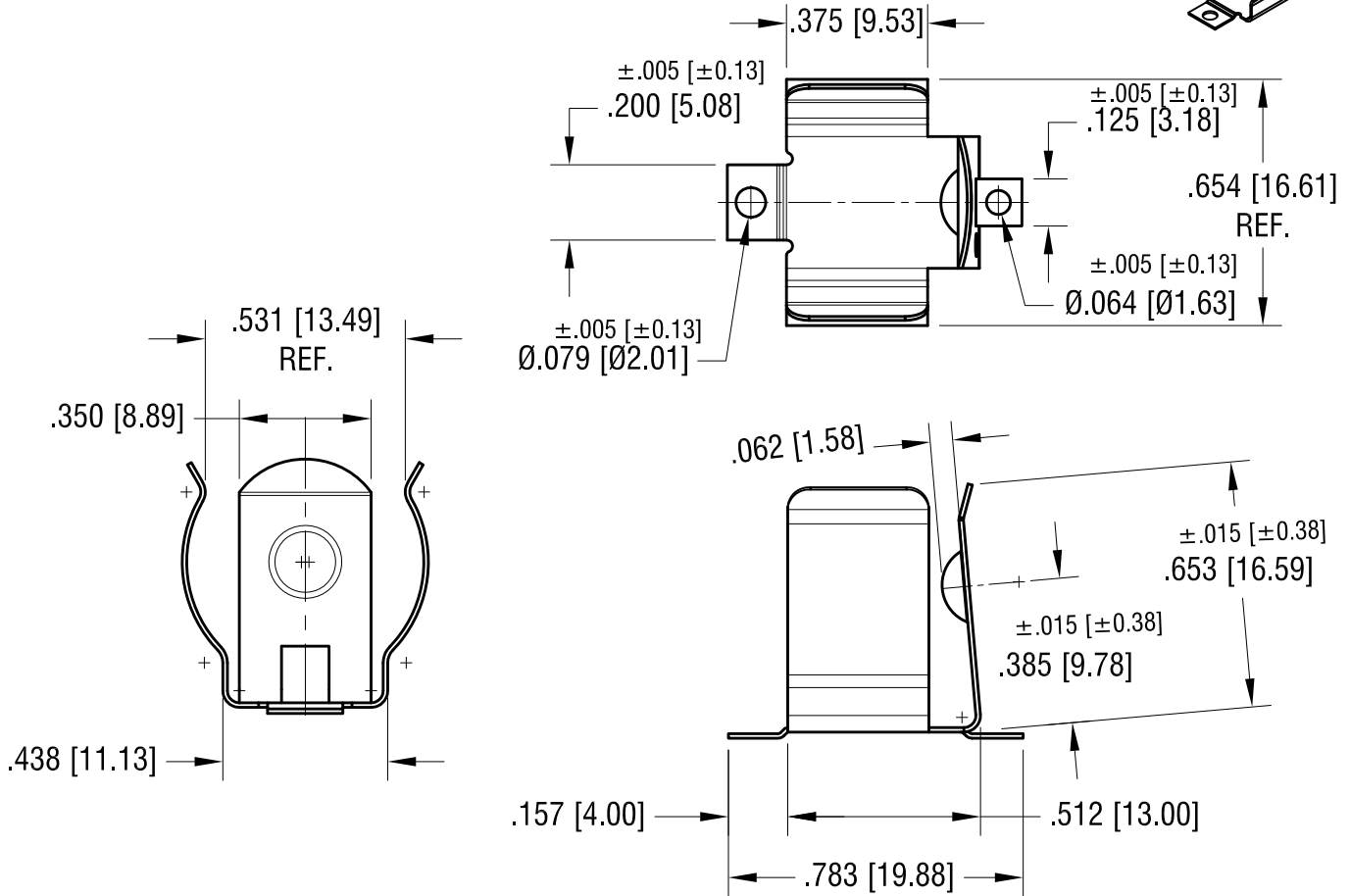


MOUNTING LAYOUT



BATTERY	'L'
CR123A	.144 [3.66] MAX.
18350	.197 [5.00] MAX.
18650 *	1.46 [37.00] MAX.
17500	2.05 [52.00] MAX.

* FOR BATTERIES WITH BUILT-IN CIRCUIT PROTECTION (67mm LONG)



NOTE:

1. HEAT TREAT TO SPRING TEMPER

PCB PROTECTION CIRCUITS ARE REQUIRED WHEN USED WITH LITHIUM-ION BATTERIES

<p>KEYSTONE ELECTRONICS CORP. www.keyelco.com • NEW HYDE PARK, NY 11040 • Tel (516) 328-7500</p>			
9.14.23	MTG. SOLDER CONTACTS REMOVED CHANGE AS PER ECN 23-154	C	PART NAME 16mm - 19mm SM BATTERY CLIP
8.15.22	B1 WAS .060, ADD RELIEF B2 CHANGE AS PER ECN 22-141	B	MATERIAL .012 [0.30] TH'K ANNEALED SPRING STEEL
6.14.21	REMOVE HOLE FOR WIRE CHANGE AS PER ECN 21-053	A	FINISH TIN NICKEL PLATE
DATE	DESCRIPTION	REV.	DRN BY NT DATE 1.17.18 APP'D RH SCALE 2X TOLERANCES INCH [MM] DECIMAL ±.010 [±0.25] ANGULAR ± 2° UNLESS OTHERWISE SPECIFIED CODE C DWG NO. 254