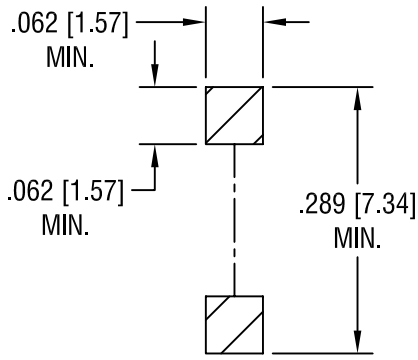
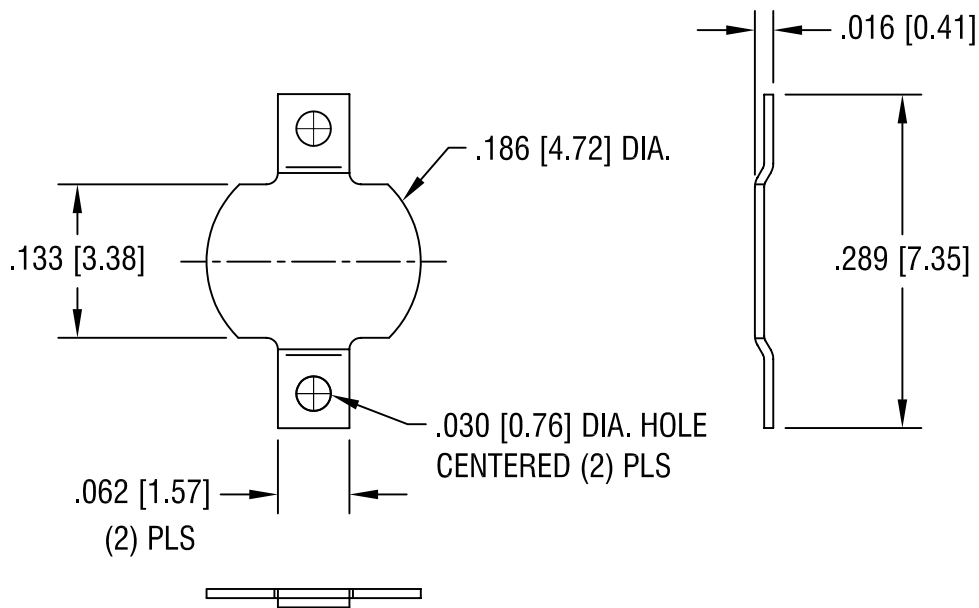


THIS DOCUMENT IS THE PROPERTY OF
KEYSTONE ELECTRONICS CORP. AND
SHALL NOT BE REPRODUCED, DISTRIBUTED
OR USED AS A BASIS FOR MANUFACTURE
WITHOUT PRIOR WRITTEN PERMISSION
FROM KEYSTONE ELECTRONICS CORP.



MOUNTING PAD LAYOUT



KEYSTONE ELECTRONICS CORP.

ASTORIA, N.Y. 11105-2017

PART NAME

COIN CELL SM NEGATIVE CONTACT

MATERIAL

.008 [.20] TH'K BRASS

FINISH

TIN NICKEL PLATE

DRN BY

BOONE

DATE

11.13.07

APP'D

LN

SCALE

6X

TOLERANCES

INCH [MM]

DECIMAL $\pm .005$ [± 0.15]

ANGULAR $\pm 1^\circ$

UNLESS OTHERWISE SPECIFIED

CODE

C

DWG NO.

2992

DATE

DESCRIPTION

REV.