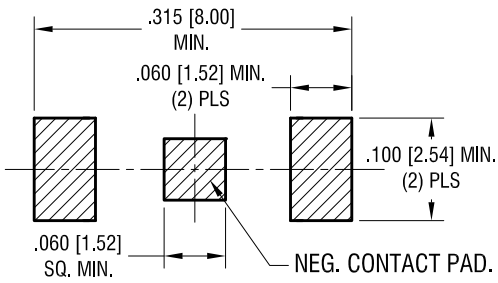


THIS DOCUMENT IS THE PROPERTY OF KEYSTONE ELECTRONICS CORP. AND SHALL NOT BE REPRODUCED, DISTRIBUTED OR USED AS A BASIS FOR MANUFACTURE WITHOUT PRIOR WRITTEN PERMISSION FROM KEYSTONE ELECTRONICS CORP.

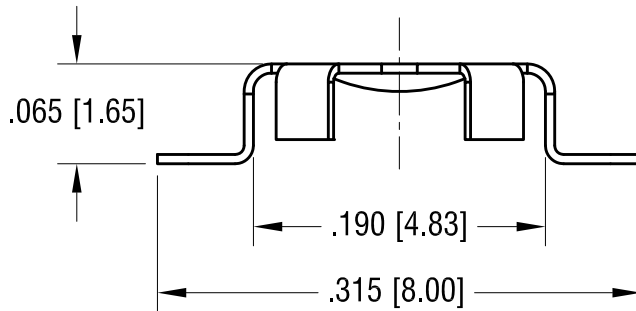
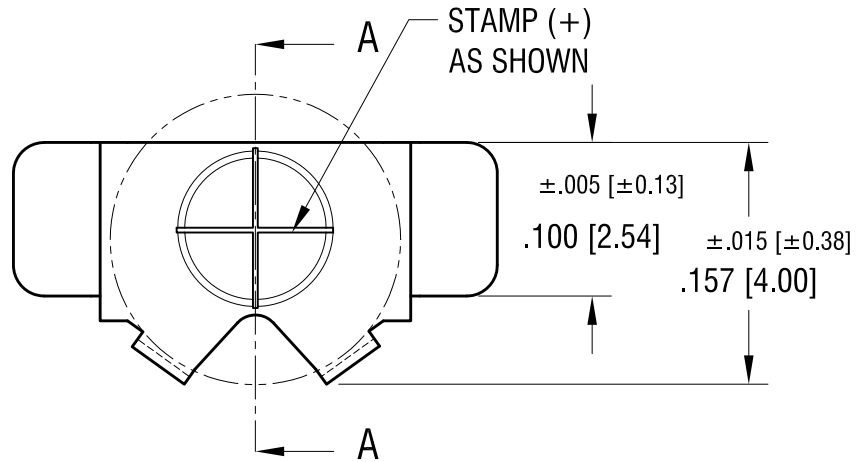
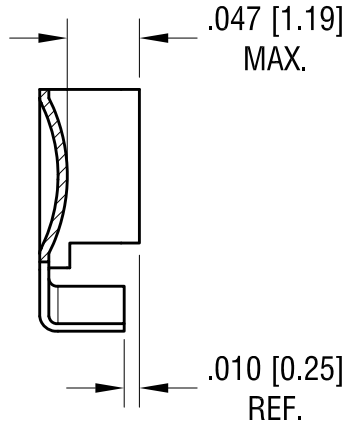
ACTUAL SIZE



MOUNTING PAD LAYOUT



SECTION A-A



2.29.24	NO CHANGES TO PART	F
1.29.18	CHANGE AS PER ECN 18-007	E
12.19.17	CHANGE AS PER ECN 17-080	D
5.07.15	CHANGE AS PER ECN 15-045	C
11.09.09	CHANGE AS PER ECN 09-165	B
10.19.09	CHANGE AS PER ECN 09-149	A
DATE	DESCRIPTION	REV.

KEYSTONE ELECTRONICS CORP.			
www.keyelco.com • NEW HYDE PARK, NY 11040 • Tel (516) 328-7500			
PART NAME		ML414 (4.8mm) SMT RETAINER	
MATERIAL		.006 [0.152] TH'K PHOSPHOR BRONZE	
FINISH		DRN BY	DATE
GOLD FLASH		NT	6.23.09
		APP'D	SCALE
TOLERANCES INCH [MM] DECIMAL ±.010 [±0.25] ANGULAR ± 1° UNLESS OTHERWISE SPECIFIED		CODE	DWG NO.
		C	2994