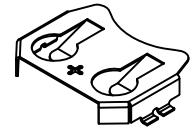
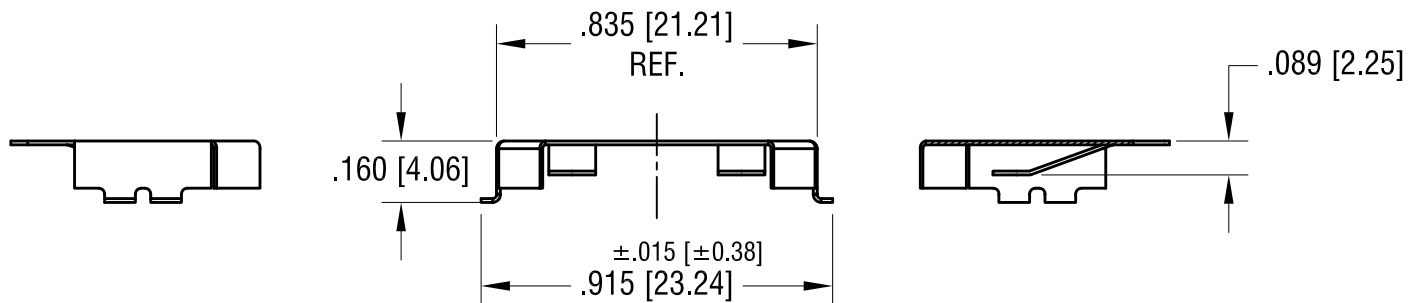
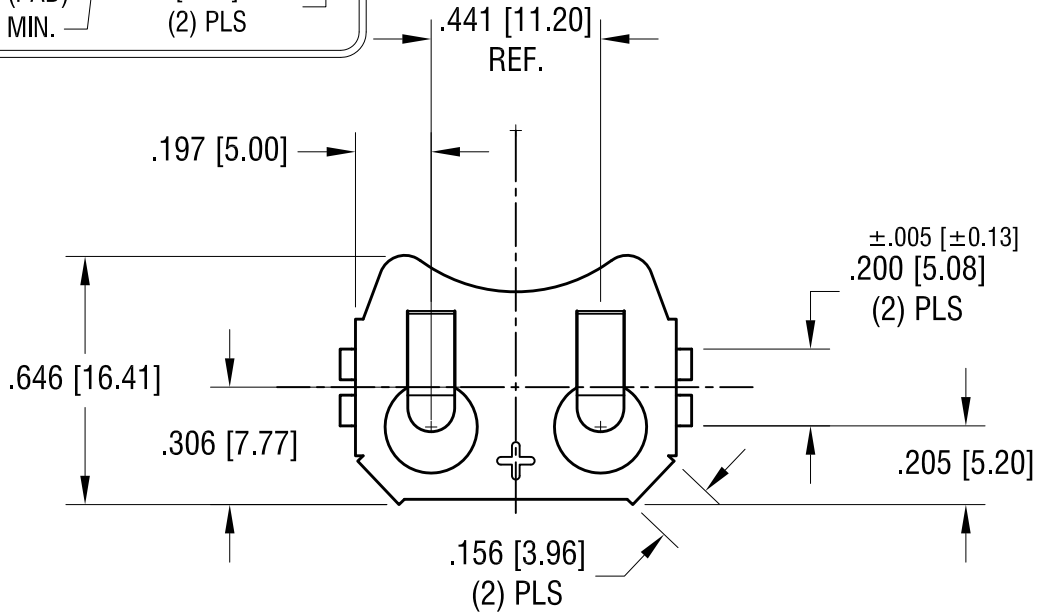
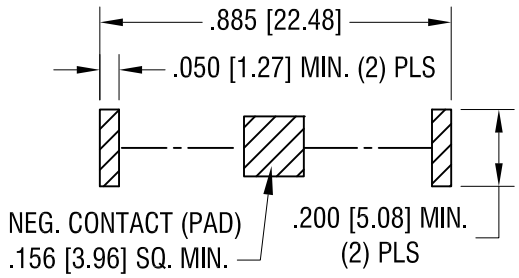


THIS DOCUMENT IS THE PROPERTY OF KEYSTONE ELECTRONICS CORP. AND SHALL NOT BE REPRODUCED, DISTRIBUTED OR USED AS A BASIS FOR MANUFACTURE WITHOUT PRIOR WRITTEN PERMISSION FROM KEYSTONE ELECTRONICS CORP.

ACTUAL SIZE



MOUNTING PAD LAYOUT



1.28.25	UPDATED DIMENSIONS.	F
6.23.20	STAMP E1 WAS NOT CUT THRU MAT'L CHANGE AS PER ECN 20-060	E
1.17.19	CHANGE AS PER ECN 19-003	D
4.25.14	CHANGE AS PER ECN 14-045	C
6.16.11	CHANGE AS PER ECN 11-085	B
3.08.11	CHANGE AS PER ECN 11-032	A
DATE	DESCRIPTION	REV.

KEYSTONE ELECTRONICS CORP.		
www.keyelco.com • NEW HYDE PARK, NY 11040 • Tel (516) 328-7500		
PART NAME COIN CELL RETAINER		
MATERIAL .010 [0.25] PHOSPHOR BRONZE		
FINISH NICKEL PLATE	DRN BY NT	DATE 2.28.11
	APP'D MR	SCALE 2X
TOLERANCES INCH [MM] DECIMAL ±.010 [±0.25] ANGULAR ± 1° UNLESS OTHERWISE SPECIFIED	CODE C	DWG NO. 3034