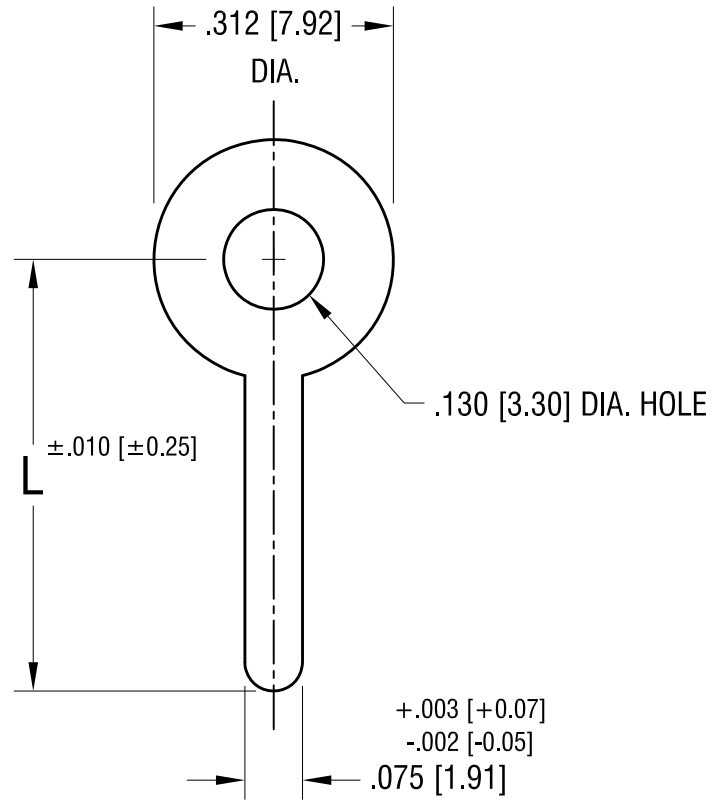


THIS DOCUMENT IS THE PROPERTY OF
KEYSTONE ELECTRONICS CORP. AND
SHALL NOT BE REPRODUCED, DISTRIBUTED
OR USED AS A BASIS FOR MANUFACTURE
WITHOUT PRIOR WRITTEN PERMISSION
FROM KEYSTONE ELECTRONICS CORP.



| PART NO. | 'L' DIM. |
|----------|---------------|
| 4000 | .500 [12.70] |
| 4001 | .562 [14.27] |
| 4002 | .750 [19.05] |
| 4003 | 1.000 [25.40] |

| DATE | DESCRIPTION | REV. |
|----------|--------------------------|------|
| 1.29.25 | UPDATED TOLERANCES. | E |
| 10.16.12 | CHANGE AS PER ECN 12-152 | D |
| 6.24.09 | CHANGE AS PER ECN 09-078 | C |
| 1.3.01 | CHANGE AS PER ECN 04-054 | B |
| 4.24.96 | CHANGE AS PER ECR 96-023 | A |

| KEYSTONE ELECTRONICS CORP. | | | |
|--|-----------------|------------------------|-----------|
| www.keyelco.com • NEW HYDE PARK NY 11040 • Tel (516)328-7500 | | | |
| PART NAME | | TERMINAL LUG | |
| MATERIAL | | .020 [0.50] TH'K BRASS | |
| FINISH | | DRN BY | DATE |
| MATTE TIN PLATE | | BOONE | 9.2.82 |
| | | APP'D | SCALE |
| | | RH | 4X |
| TOLERANCES | INCH [MM] | CODE | DWG NO. |
| DECIMAL | ± .005 [± 0.13] | C | 4000-4003 |
| ANGULAR | ± 1° | | |
| UNLESS OTHERWISE SPECIFIED | | | |