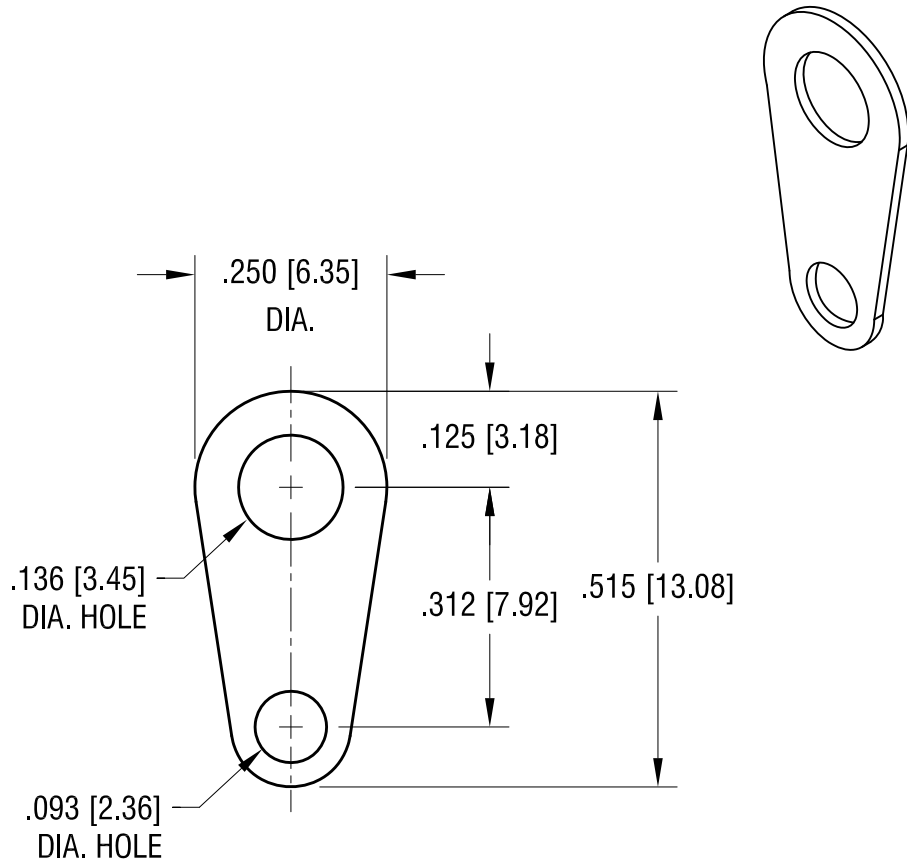


THIS DOCUMENT IS THE PROPERTY OF
KEYSTONE ELECTRONICS CORP. AND
SHALL NOT BE REPRODUCED, DISTRIBUTED
OR USED AS A BASIS FOR MANUFACTURE
WITHOUT PRIOR WRITTEN PERMISSION
FROM KEYSTONE ELECTRONICS CORP.



KEYSTONE ELECTRONICS CORP.			
ASTORIA, N.Y. 11105-2017			
PART NAME			
SOLDER TERMINAL LUG			
MATERIAL			
.016 [0.41] TH'K BRASS			
FINISH		DRN BY	DATE
MATTE TIN PLATE		BOONE	10.23.95
		APP'D	SCALE
		LN	4X
TOLERANCES	INCH [MM]	CODE	DWG NO.
DECIMAL	$\pm .005$ [± 0.15]	C	4004
ANGULAR	$\pm 1^\circ$		
UNLESS OTHERWISE SPECIFIED			

6.25.09	CHANGE AS PER ECN 09-081	A
DATE	DESCRIPTION	REV.