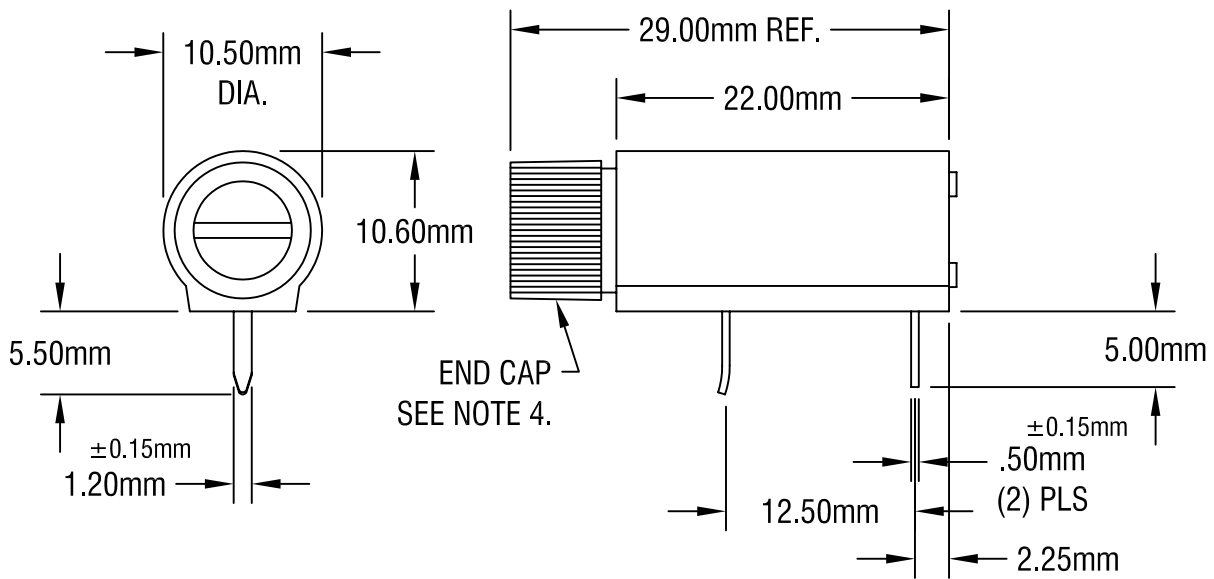
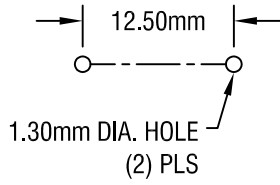


THIS DOCUMENT IS THE PROPERTY OF
KEYSTONE ELECTRONICS CORP. AND
SHALL NOT BE REPRODUCED, DISTRIBUTED
OR USED AS A BASIS FOR MANUFACTURE
WITHOUT PRIOR WRITTEN PERMISSION
FROM KEYSTONE ELECTRONICS CORP.

MOUNTING DETAIL



NOTE:

1. ALL DIMENSIONS ARE IN MILLIMETERS.
2. MAT'L: PBT
3. CONTACTS: MAT'L: BRASS, TIN PLATE
4. END CAP AND BODY SUPPLIED UNASSEMBLED

KEYSTONE ELECTRONICS CORP.

ASTORIA, N.Y. 11105-2017

PART NAME			
METRIC 5mm x 20mm PC FUSE HOLDER			
MATERIAL			
AS NOTED			
FINISH		DRN BY	DATE
AS NOTED		BOONE	6.9.06
		APP'D	SCALE
			2X
TOLERANCES	INCH	[MM]	CODE
DECIMAL	±	[± 0.25]	C/M
ANGULAR	± 1°		
UNLESS OTHERWISE SPECIFIED			DWG NO.
			4525

DATE	DESCRIPTION	REV.