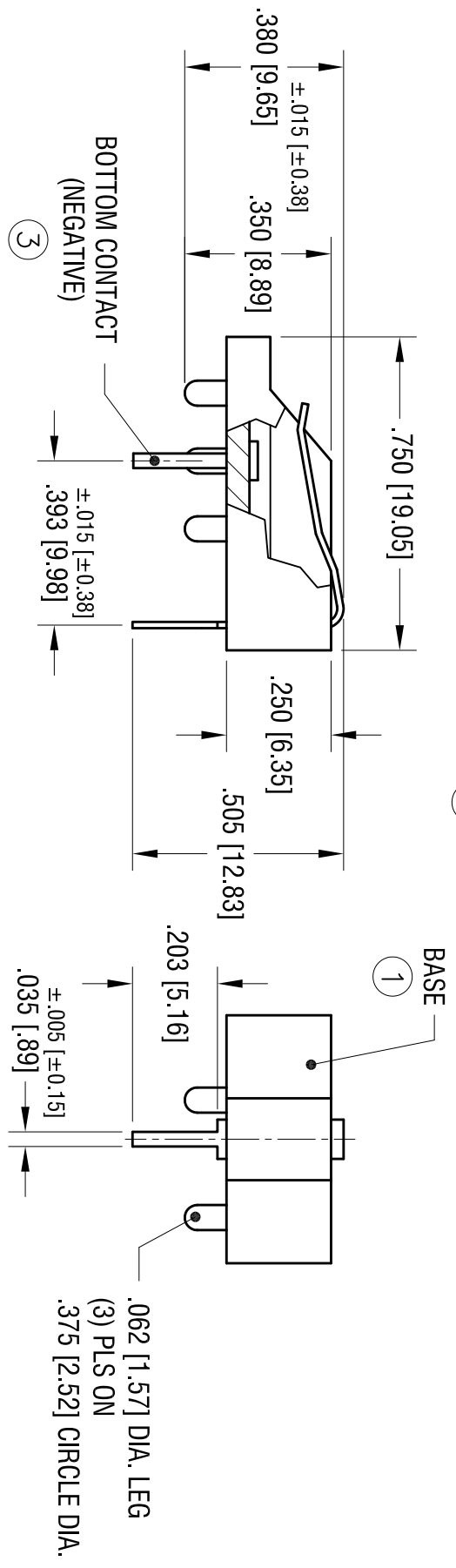
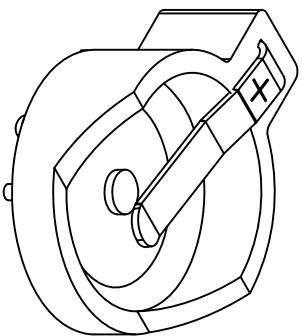
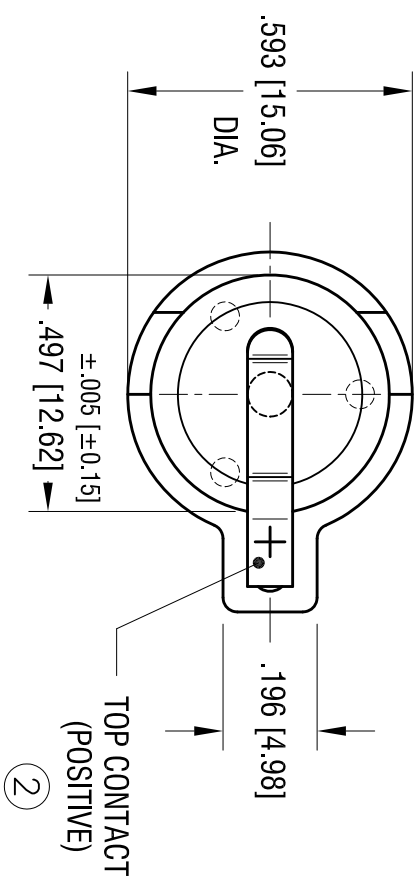


DATE	DESCRIPTION	REV.
2.9.05	CHANGE AS PER ECN 05-014	E
4.08.09	CHANGE AS PER ECN 09-028	F
11.02.11	CHANGE AS PER ECN 11-142	G



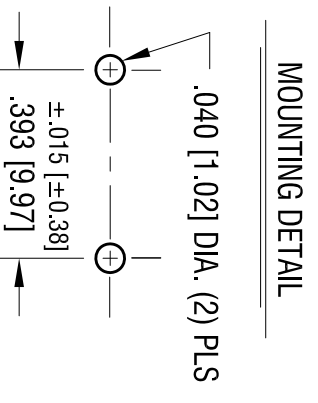
THIS DOCUMENT IS THE PROPERTY OF KEYSTONE ELECTRONICS CORP. AND SHALL NOT BE REPRODUCED, DISTRIBUTED OR USED AS A BASIS FOR MANUFACTURE WITHOUT PRIOR WRITTEN PERMISSION FROM KEYSTONE ELECTRONICS CORP.

KEYSTONE ELECTRONICS CORP.

www.keystec.com • ASTORIA, N.Y. 11105-2017 • Tel (718) 956-8900

PART NAME	DUAL 12mm PC BATTERY HOLDER	
MATERIAL	AS NOTED	
FINISH	AS NOTED	

ITEM	DESCRIPTION/MATERIAL	FINISH
①	BASE, BLACK PBT (UL 94V-0)	TIN NICKEL PLATE
②	TOP CONTACT .015 [0.38] TH'K SPRING STEEL	TIN NICKEL PLATE
③	BOTTOM CONTACT .035 [0.89] DIA. STEEL	TIN NICKEL PLATE



FINISH	AS NOTED	DRN BY	BOONE	DATE	6.4.93
TOLERANCES	INCH [MM]	CODE	DWG NO.	SCALE	2.5X
DECIMAL	± .010 [± 0.25]	C	501		
ANGULAR	± 1°				
UNLESS OTHERWISE SPECIFIED					