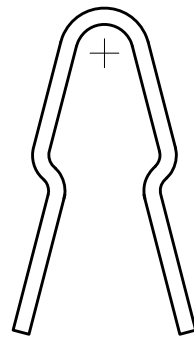
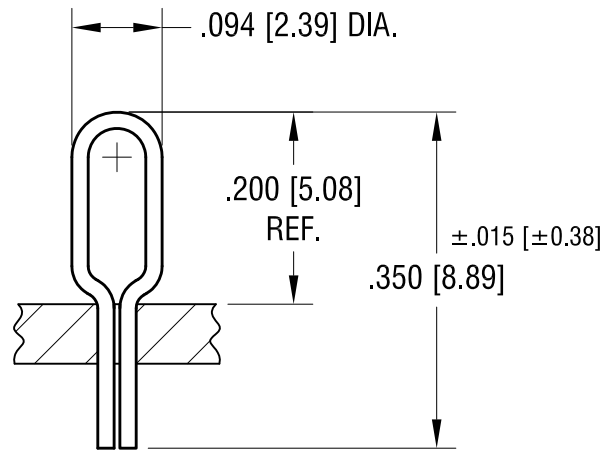


THIS DOCUMENT IS THE PROPERTY OF  
KEYSTONE ELECTRONICS CORP. AND  
SHALL NOT BE REPRODUCED, DISTRIBUTED  
OR USED AS A BASIS FOR MANUFACTURE  
WITHOUT PRIOR WRITTEN PERMISSION  
FROM KEYSTONE ELECTRONICS CORP.

ACTUAL SIZE



SHOWN AS  
SUPPLIED



SHOWN AS  
INSTALLED INTO  
.040 [1.02] DIA.  
MOUNTING HOLE

4.25.14	CHANGE AS PER ECN 14-044	C
8.20.10	CHANGE AS PER ECN 10-061	B
6.20.06	CHANGE AS PER ECN 06-052	A
DATE	DESCRIPTION	REV.

<b>KEYSTONE ELECTRONICS CORP.</b>			
www.keyelco.com • ASTORIA, N.Y. 11105-2017 • Tel (718) 956-8900			
PART NAME			
THRU HOLE MOUNT UNINSULATED TEST POINT			
MATERIAL			
.016 [0.40] x .028 [0.71] PHOSPHOR BRONZE			
FINISH		DRN BY	DATE
SILVER PLATE		BOONE	5.26.05
		APP'D	SCALE
		LN	5X
TOLERANCES	INCH [MM]	CODE	DWG NO.
DECIMAL	± .005 [± 0.15]	C	5020
ANGULAR	± 1°		
UNLESS OTHERWISE SPECIFIED			