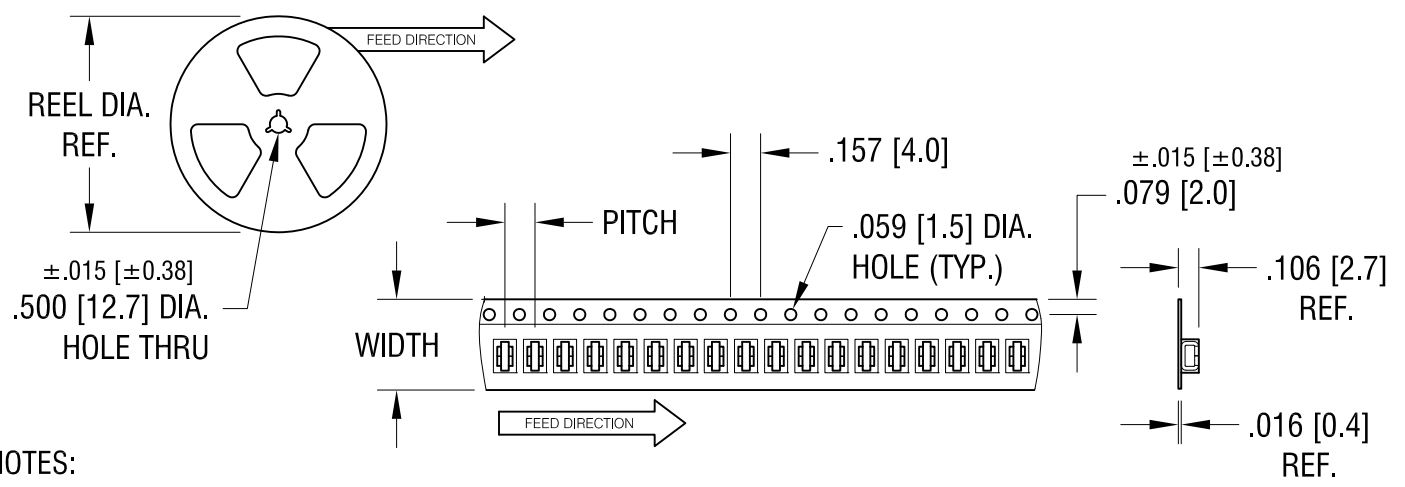
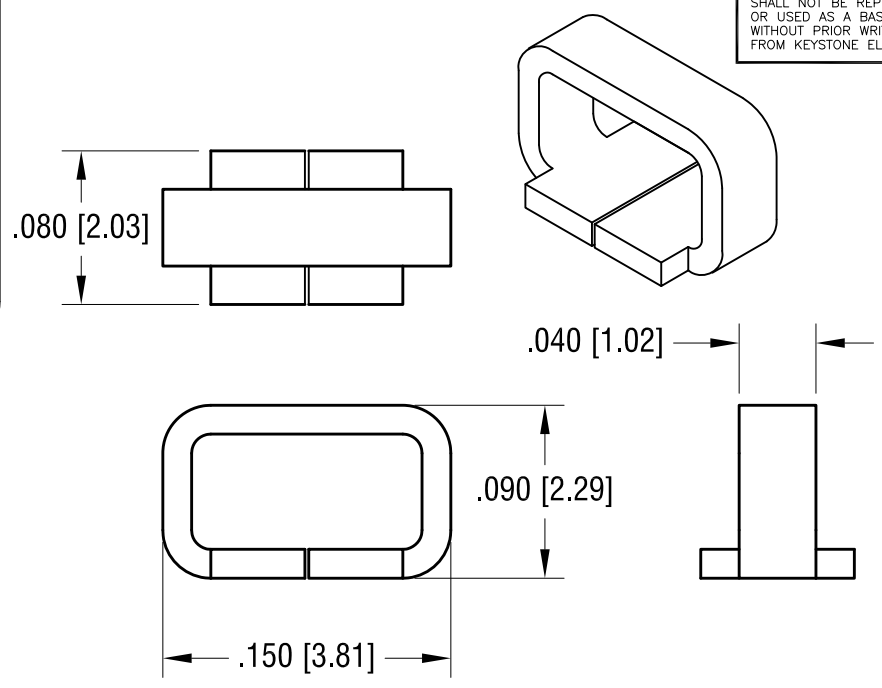
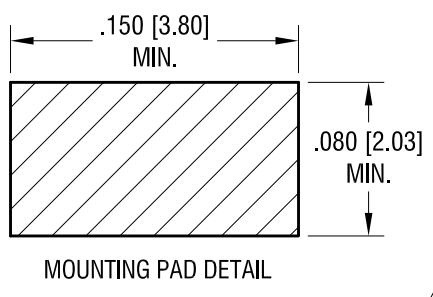


THIS DOCUMENT IS THE PROPERTY OF KEYSTONE ELECTRONICS CORP. AND SHALL NOT BE REPRODUCED, DISTRIBUTED OR USED AS A BASIS FOR MANUFACTURE WITHOUT PRIOR WRITTEN PERMISSION FROM KEYSTONE ELECTRONICS CORP.



NOTES:

1. SUPPLIED ON TAPE AND REEL ONLY.
TAPES AND REEL SPECIFICATIONS:
2. TAPE:
MAT'L - ALL CONDUCTIVE POLYSTYRENE CARRIER
ANSI/EIA-481 STANDARD
.472 [12.0] WIDE; .157 [4.0] PITCH
3. REEL:
13.0 [330.00] DIA. 5000 PIECES OF
PART NO. 5029 PER REEL.

3.18.14	CHANGE AS PER ECN 014-032	B
6.21.12	SPLIT C/M TO 'C' & 'M' CHANGE AS PER ECN 12-076	A
DATE	DESCRIPTION	REV.

KEYSTONE ELECTRONICS CORP.		
www.keyelco.com • ASTORIA, N.Y. 11105-2017 • Tel (718) 956-8900		
PART NAME TEST POINT, COMPACT, SURFACE MOUNT		
MATERIAL .015 [0.38] TH'K PHOSPHOR BRONZE		
FINISH SILVER PLATE		DRN BY NT
		DATE 3.11.11
		APP'D LN
		SCALE 10X, 1X
TOLERANCES INCH [MM]	CODE	DWG NO.
DECIMAL ± .005 [± 0.13]	C	5029
ANGULAR ± 1° UNLESS OTHERWISE SPECIFIED		