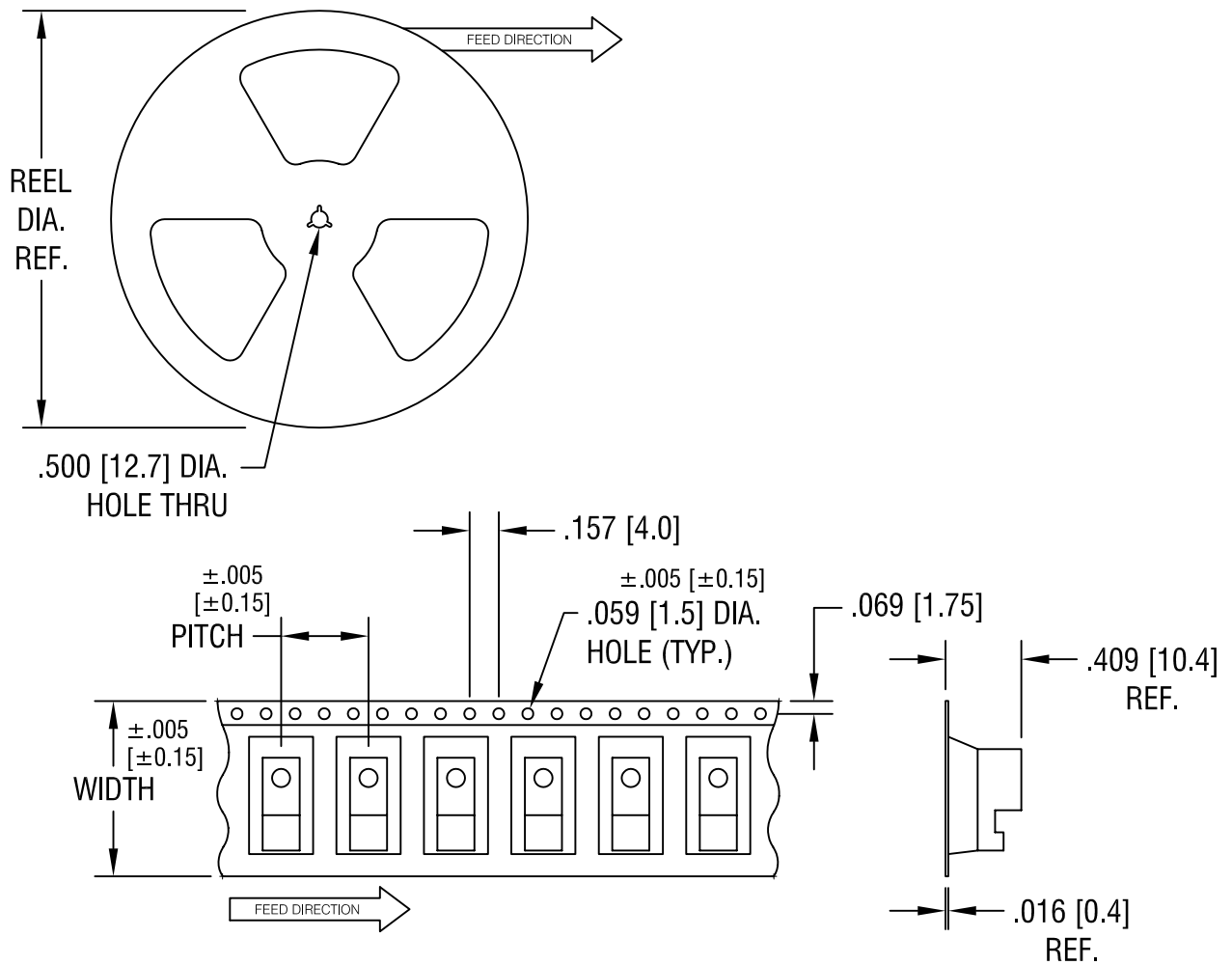


THIS DOCUMENT IS THE PROPERTY OF
KEYSTONE ELECTRONICS CORP. AND
SHALL NOT BE REPRODUCED, DISTRIBUTED
OR USED AS A BASIS FOR MANUFACTURE
WITHOUT PRIOR WRITTEN PERMISSION
FROM KEYSTONE ELECTRONICS CORP.



NOTES:

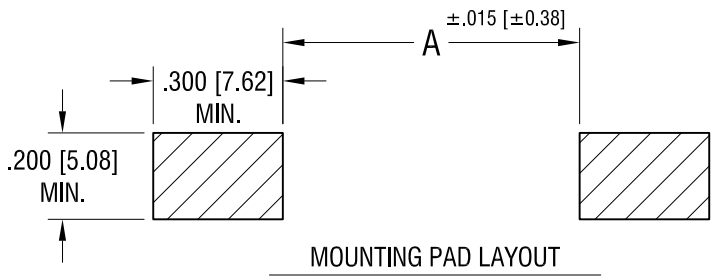
TAPE AND REEL SPECIFICATIONS:

1. TAPE:
MAT'L - ALL CONDUCTIVE POLYSTYRENE CARRIER
ANSI/EIA-481 STANDARD
.945 [24.0] WIDE; .472 [12.0] PITCH
2. REEL:
13.0 [330.2] DIA. 400 PIECES OF
PART NO. 5230 PER REEL.

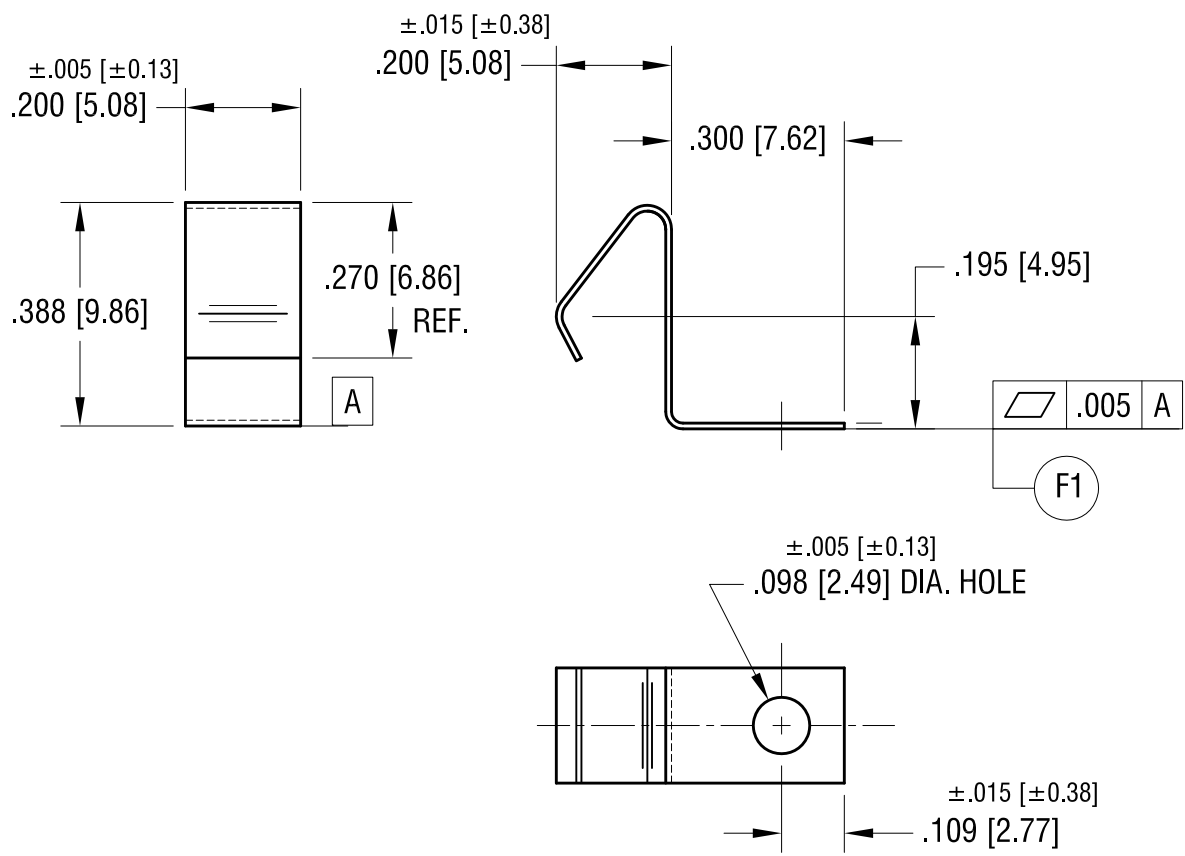
8.6.07	CHANGE AS PER ECN 07-045	B
11.1.05	CHANGE AS PER ECN 05-077	A
DATE	DESCRIPTION	REV.

KEYSTONE ELECTRONICS CORP.			
ASTORIA, N.Y. 11105-2017			
PART NAME			
SM BATTERY CONTACT, ON TAPE			
MATERIAL			
AS NOTED			
FINISH		DRN BY	DATE
AS NOTED		BOONE	2.9.01
		APP'D	SCALE
		LN	X
TOLERANCES	INCH [MM]	CODE	DWG NO.
DECIMAL	±.015 [±0.38]	C/M	5230TR
ANGULAR	± 1°		
UNLESS OTHERWISE SPECIFIED			

THIS DOCUMENT IS THE PROPERTY OF KEYSTONE ELECTRONICS CORP. AND SHALL NOT BE REPRODUCED, DISTRIBUTED OR USED AS A BASIS FOR MANUFACTURE WITHOUT PRIOR WRITTEN PERMISSION FROM KEYSTONE ELECTRONICS CORP.



FOR BATTERY SIZE:	'A' DIM.
AAA	1.959 [49.76]
AAAA	1.864 [47.35]



NOTE:
1. HEAT TREAT TO SPRING TEMPER.

KEYSTONE ELECTRONICS CORP.			
www.keyelco.com • NEW HYDE PARK, NY 11040 • Tel (516) 328-7500			
PART NAME BATTERY CONTACT, SURFACE MOUNT			
MATERIAL .010 [0.25] ANNEALED SPRING STEEL			
FINISH TIN NICKEL PLATE		DRN BY BOONE	DATE 3.16.98
		APP'D RH	SCALE 3X
TOLERANCES INCH [MM]	DECIMAL ±.010 [±0.25]	CODE C	DWG NO. 5230
ANGULAR ± 1°			
UNLESS OTHERWISE SPECIFIED			

DATE	DESCRIPTION	REV.
7.06.20	ADD FLATNESS (F1) CHANGE AS PER ECN 20-061	F
9.13.04	CHANGE AS PER ECN 04-091	E