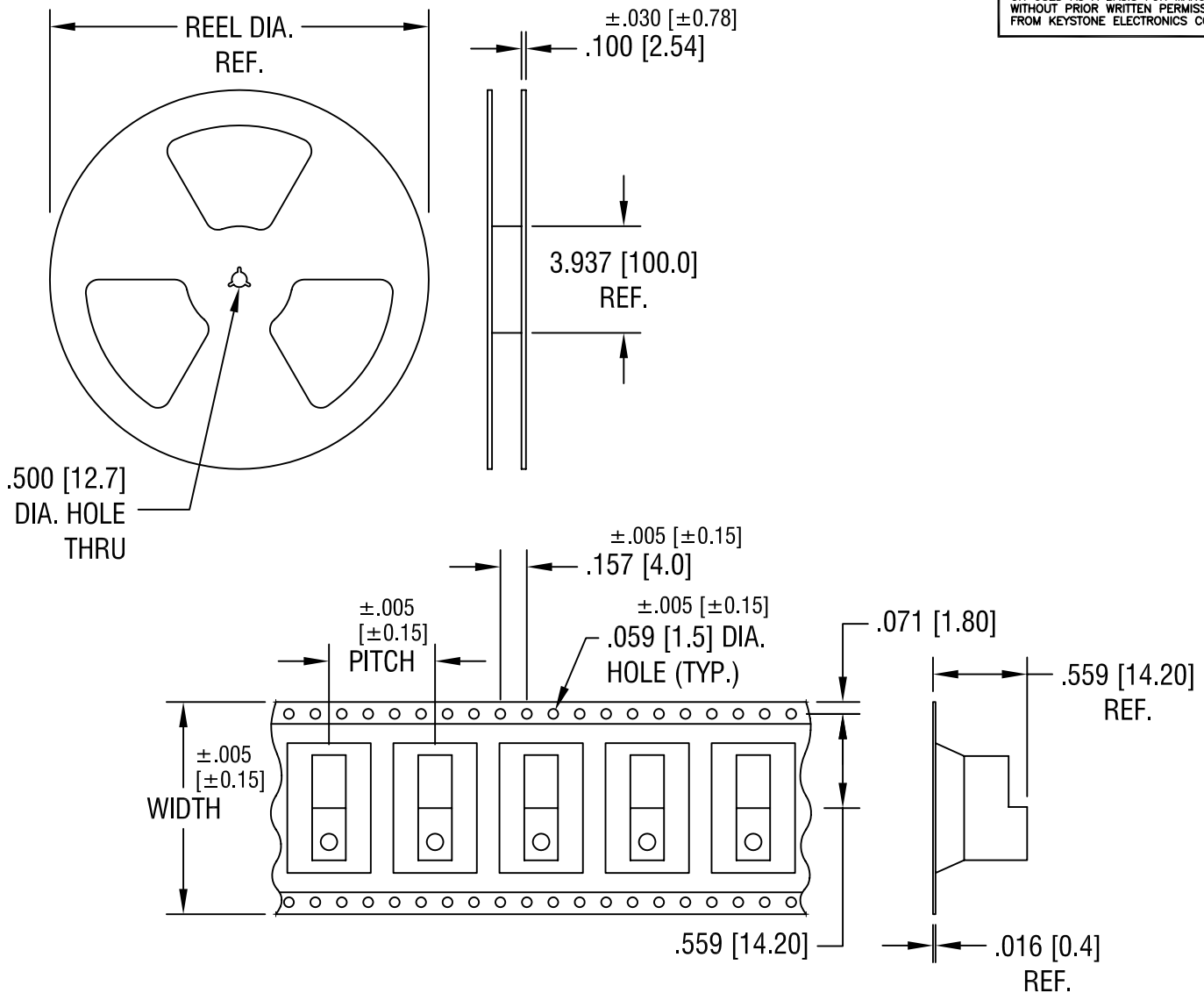


THIS DOCUMENT IS THE PROPERTY OF KEYSTONE ELECTRONICS CORP. AND SHALL NOT BE REPRODUCED, DISTRIBUTED OR USED AS A BASIS FOR MANUFACTURE WITHOUT PRIOR WRITTEN PERMISSION FROM KEYSTONE ELECTRONICS CORP.



NOTES:

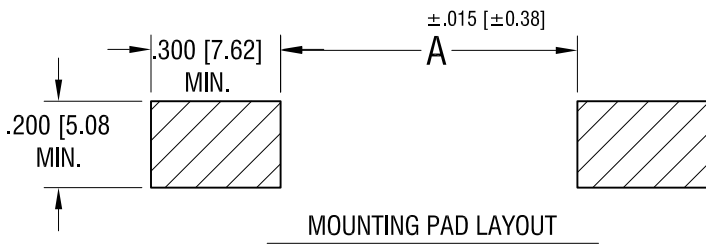
TAPE AND REEL SPECIFICATIONS:

1. TAPE:
 MAT'L - ALL CONDUCTIVE POLYSTYRENE CARRIER
 ANSI/EIA-481 STANDARD
 1.260 [32.0] WIDE; .630 [16.0] PITCH
2. REEL:
 13.0 [330.2] DIA. 250 PIECES OF
 PART NO. 5231 PER REEL.

KEYSTONE ELECTRONICS CORP.			
ASTORIA, N.Y. 11105-2017			
PART NAME			
SM BATTERY CONTACT, ON TAPE			
MATERIAL			
AS NOTED			
FINISH		DRN BY	DATE
AS NOTED		BOONE	6.16.00
		APP'D	SCALE
		LN	X
TOLERANCES	INCH [MM]	CODE	DWG NO.
DECIMAL	± .015 [± 0.38]	C/M	5231TR
ANGULAR	± 1°		
UNLESS OTHERWISE SPECIFIED			

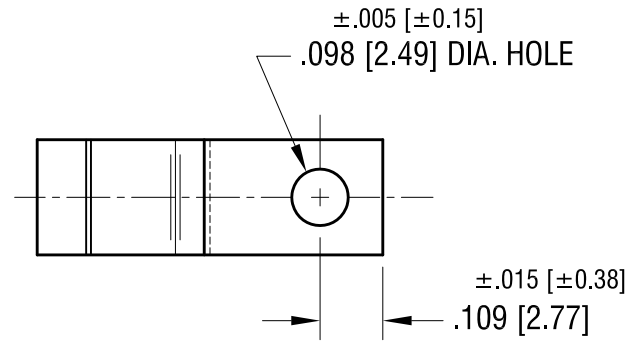
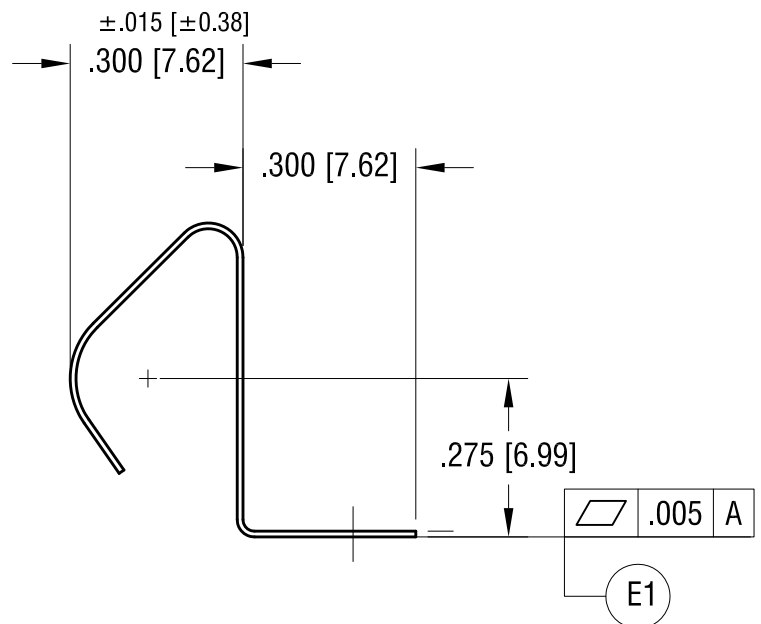
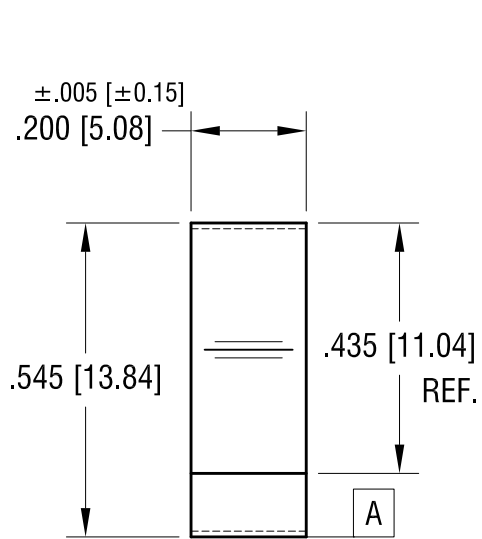
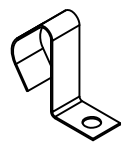
10.7.05	CHANGE AS PER ECN 05-073	B
DATE	DESCRIPTION	REV.

THIS DOCUMENT IS THE PROPERTY OF KEYSTONE ELECTRONICS CORP. AND SHALL NOT BE REPRODUCED, DISTRIBUTED OR USED AS A BASIS FOR MANUFACTURE WITHOUT PRIOR WRITTEN PERMISSION FROM KEYSTONE ELECTRONICS CORP.



FOR BATTERY SIZE:	'A' DIM.
2/3A	1.71 [43.4]
AA	2.380 [60.45]

ACTUAL SIZE



NOTE:
1. HEAT TREAT TO SPRING TEMPER.

DATE	DESCRIPTION	REV.
7.06.20	ADD FLATNESS (E1) CHANGE AS PER ECN 20-062	E
8.17.04	CHANGE AS PER ECN 04-058	D

KEYSTONE ELECTRONICS CORP.
www.keyelco.com • NEW HYDE PARK, NY 11040 • Tel (516) 328-7500

PART NAME
BATTERY CONTACT, SURFACE MOUNT

MATERIAL
.010 [0.25] TH'K ANNEALED SPRING STEEL

FINISH TIN NICKEL PLATE	DRN BY BOONE	DATE 3.16.98
	APP'D RH	SCALE 3X

TOLERANCES INCH [MM]
DECIMAL ±.010 [±0.25]
ANGULAR ± 1°
UNLESS OTHERWISE SPECIFIED

CODE
C

DWG NO.
5231