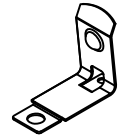
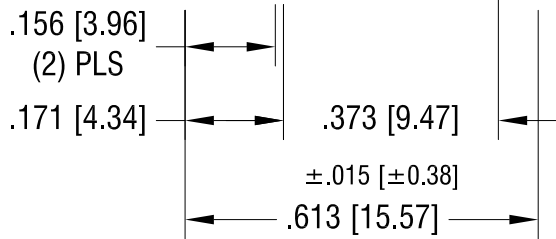
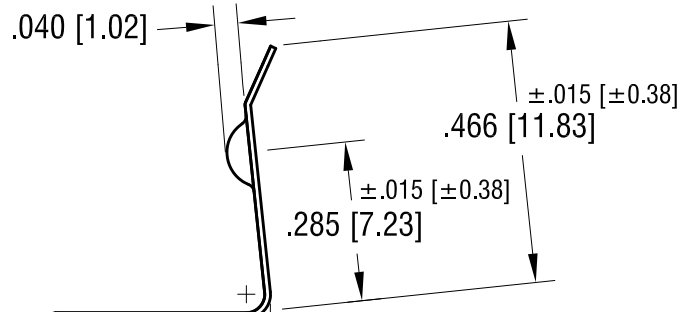
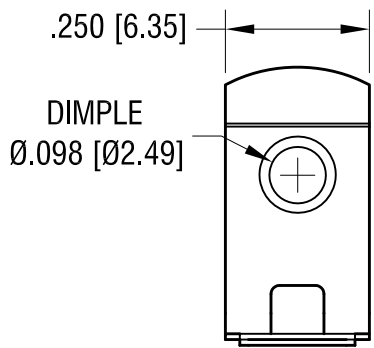
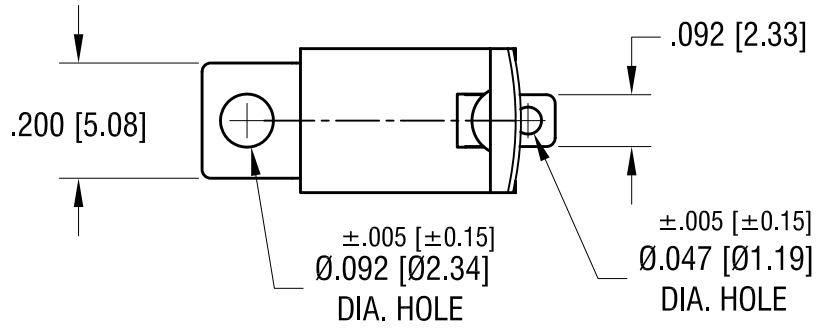
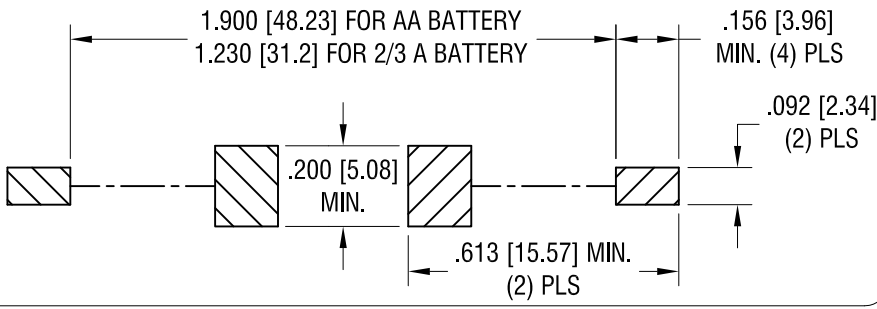


THIS DOCUMENT IS THE PROPERTY OF KEYSTONE ELECTRONICS CORP. AND SHALL NOT BE REPRODUCED, DISTRIBUTED OR USED AS A BASIS FOR MANUFACTURE WITHOUT PRIOR WRITTEN PERMISSION FROM KEYSTONE ELECTRONICS CORP.

ACTUAL SIZE



MOUNTING PAD LAYOUT



NOTE:

- 1. HEAT TREAT TO SPRING TEMPER.

KEYSTONE ELECTRONICS CORP.			
www.keyelco.com • NEW HYDE PARK, NY 11040 • Tel (516) 328-7500			
PART NAME			
'AA' SMT BATTERY CLIP			
MATERIAL			
.010 [0.25] TH'K ANNEALED SPRING STEEL			
FINISH		DRN BY	DATE
MATTE TIN PLATE		NT	8.27.09
		APP'D	SCALE
		MR	3X
TOLERANCES		CODE	
INCH [MM]		DWG NO.	
DECIMAL ±.010 [±0.25]		557	
ANGULAR ± 1°			
UNLESS OTHERWISE SPECIFIED			

7.15.24	NO CHANGES TO PART.	A	
DATE	DESCRIPTION	REV.	