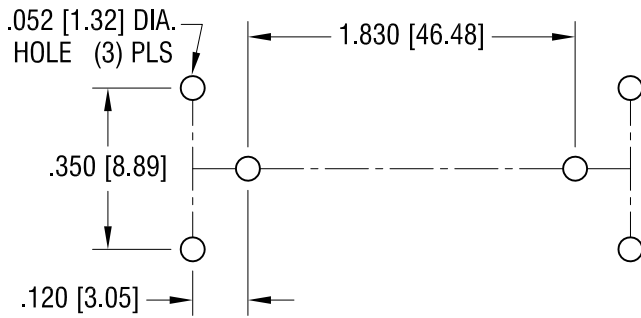
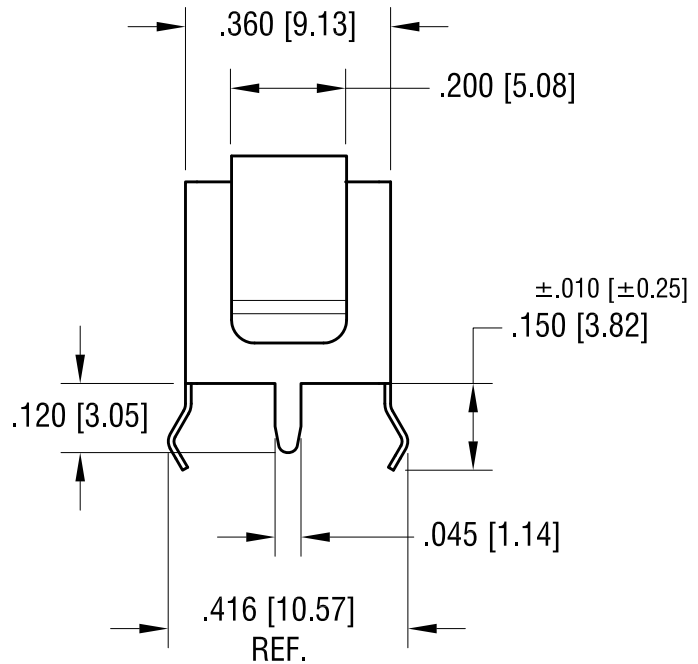
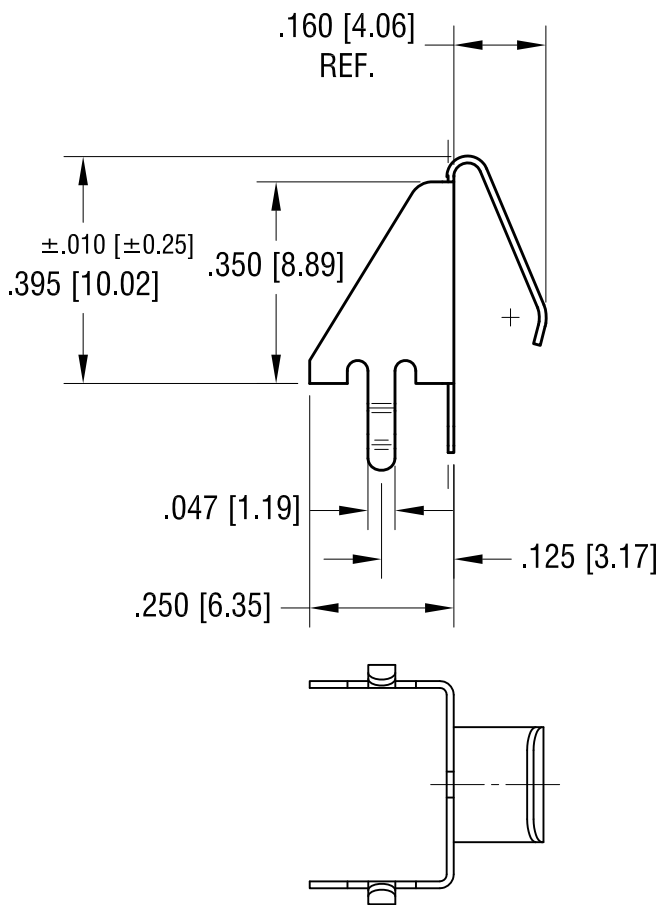


THIS DOCUMENT IS THE PROPERTY OF KEYSTONE ELECTRONICS CORP. AND SHALL NOT BE REPRODUCED, DISTRIBUTED OR USED AS A BASIS FOR MANUFACTURE WITHOUT PRIOR WRITTEN PERMISSION FROM KEYSTONE ELECTRONICS CORP.

RECOMMENDED LAYOUT FOR 'AAA' BATTERY USING ONE SPRING (P/N 591) AND ONE BUTTON (P/N 597) CONTACT



ACTUAL SIZE



NOTE:

1. HEAT TREAT TO SPRING TEMPER.

**KEYSTONE ELECTRONICS CORP.**

www.keyelco.com • NEW HYDE PARK, NY 11040 • Tel (516) 328-7500

PART NAME

'AAA' SNAP-IN SPRING CONTACT

MATERIAL

.012 [0.30] TH'K ANNEALED SPRING STEEL

FINISH

TIN NICKEL PLATE

DRN BY

LARRY

DATE

1.17.05

APP'D

RH

SCALE

3X

TOLERANCES

INCH [MM]

DECIMAL

± .005 [± 0.13]

ANGULAR

± 1°

UNLESS OTHERWISE SPECIFIED

CODE

C

DWG NO.

591

DATE	DESCRIPTION	REV.
9.20.23	CHANGE AS PER ECN 23-166	D
7.27.23	CHANGE AS PER ECN 23-126	C
10.22.09	CHANGE AS PER ECN 09-155	B
7.19.05	CHANGE AS PER ECN 05-050	A