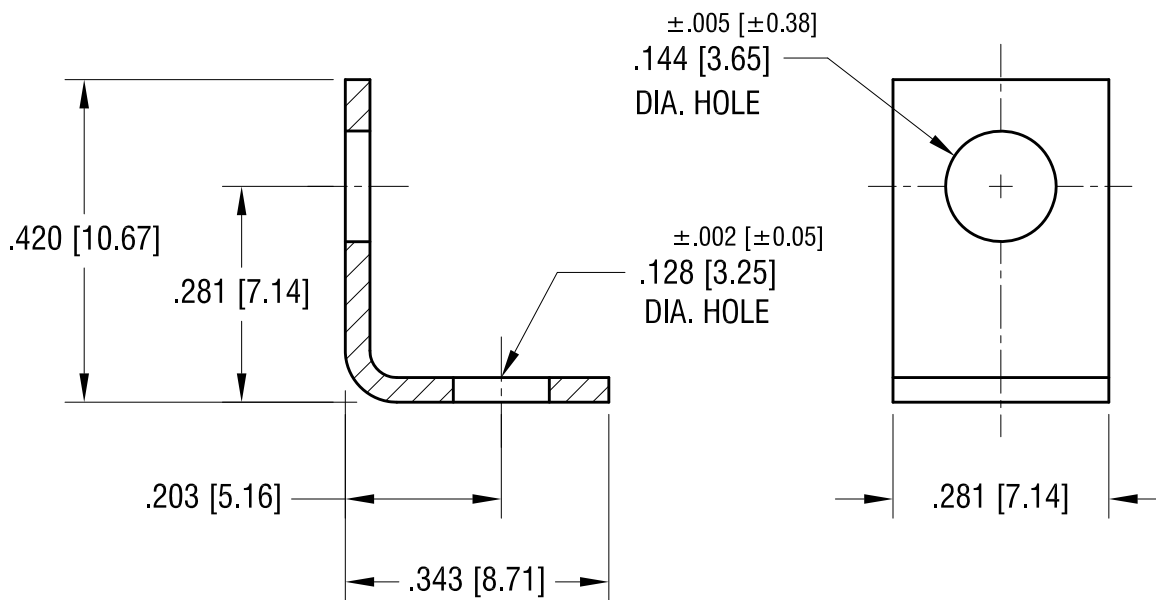
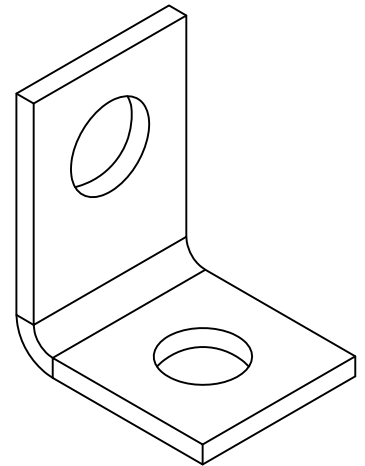


THIS DOCUMENT IS THE PROPERTY OF
KEYSTONE ELECTRONICS CORP. AND
SHALL NOT BE REPRODUCED, DISTRIBUTED
OR USED AS A BASIS FOR MANUFACTURE
WITHOUT PRIOR WRITTEN PERMISSION
FROM KEYSTONE ELECTRONICS CORP.



10.21.09	CHANGE AS PER ECN 09-154	C
11.8.01	CHANGE AS PER ECN 01-096	B
DATE	DESCRIPTION	REV.

KEYSTONE ELECTRONICS CORP.			
www.keyelco.com • ASTORIA, N.Y. 11105-2017 • Tel (718) 956-8900			
PART NAME		BRACKET	
MATERIAL		.032 [0.81] TH'K BRASS	
FINISH	MATTE TIN PLATE	DRN BY	BOONE
		APP'D	LN
		DATE	2.26.82
		SCALE	4X
TOLERANCES	INCH [MM]	CODE	DWG NO.
DECIMAL	$\pm .010$ [± 0.25]	C	615
ANGULAR	$\pm 1^\circ$		
UNLESS OTHERWISE SPECIFIED			