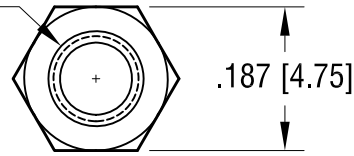
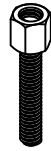


THIS DOCUMENT IS THE PROPERTY OF KEYSTONE ELECTRONICS CORP. AND SHALL NOT BE REPRODUCED, DISTRIBUTED OR USED AS A BASIS FOR MANUFACTURE WITHOUT PRIOR WRITTEN PERMISSION FROM KEYSTONE ELECTRONICS CORP.

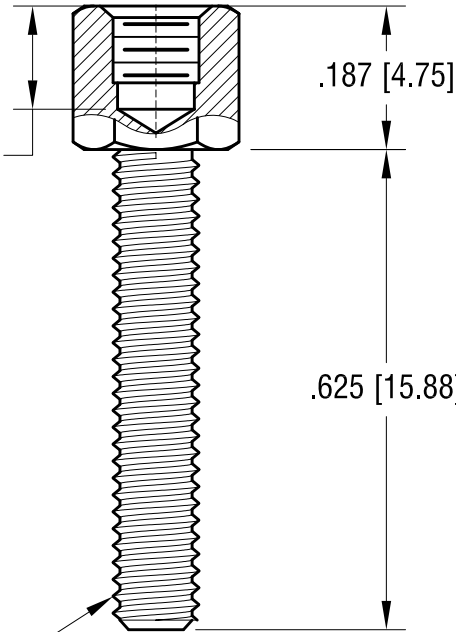
4-40 THREAD x
.100 [2.54] MIN. DEEP



ACTUAL SIZE



.156 [3.96] MAX.
DRILL DEPTH



4-40
THREAD

NOTE:

1. FINISH: ZINC PLATE

TRIVALANT YELLOW CHROMATE

12.13.23	SPLIT C/M DARWING TO 'C' &'M CHANGE AS PER ECN 23-309	D
8.17.09	CHANGE AS PER ECN 09-116	C
5.09.05	CHANGE AS PER ECN 05-024	B
DATE	DESCRIPTION	REV.

KEYSTONE ELECTRONICS CORP.			
www.keyelco.com • NEW HYDE PARK NY 11040 • Tel (516)328-7500			
PART NAME		JACK SCREW	
MATERIAL		STEEL	
FINISH		DRN BY	DATE
AS NOTED		BOONE	11.14.83
		APP'D	SCALE
		RH	4X
TOLERANCES	INCH [MM]	CODE	DWG NO.
DECIMAL	± .005 [± 0.13]	C	7232
ANGULAR	± 1°		
UNLESS OTHERWISE SPECIFIED			