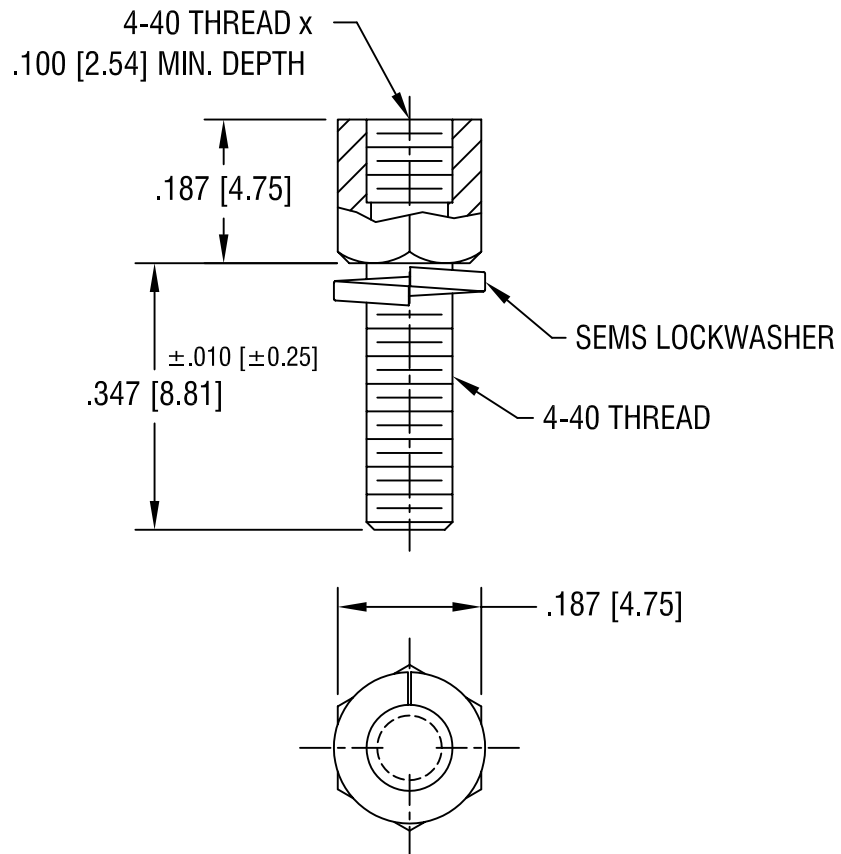


THIS DOCUMENT IS THE PROPERTY OF  
KEYSTONE ELECTRONICS CORP. AND  
SHALL NOT BE REPRODUCED, DISTRIBUTED  
OR USED AS A BASIS FOR MANUFACTURE  
WITHOUT PRIOR WRITTEN PERMISSION  
FROM KEYSTONE ELECTRONICS CORP.



**KEYSTONE ELECTRONICS CORP.**

ASTORIA, N.Y. 11105-2017

PART NAME

SEMS JACK SCREW

MATERIAL

STEEL

FINISH

ZINC PLATE  
CLEAR CHROMATE

DRN BY

BOONE

DATE

3.20.00

APPD

SCALE

4X

TOLERANCES

INCH [MM]

DECIMAL ± .005 [± 0.15 ]

ANGULAR ± 1°

UNLESS OTHERWISE SPECIFIED

CODE

C

DWG NO.

7237

DATE

DESCRIPTION

REV.