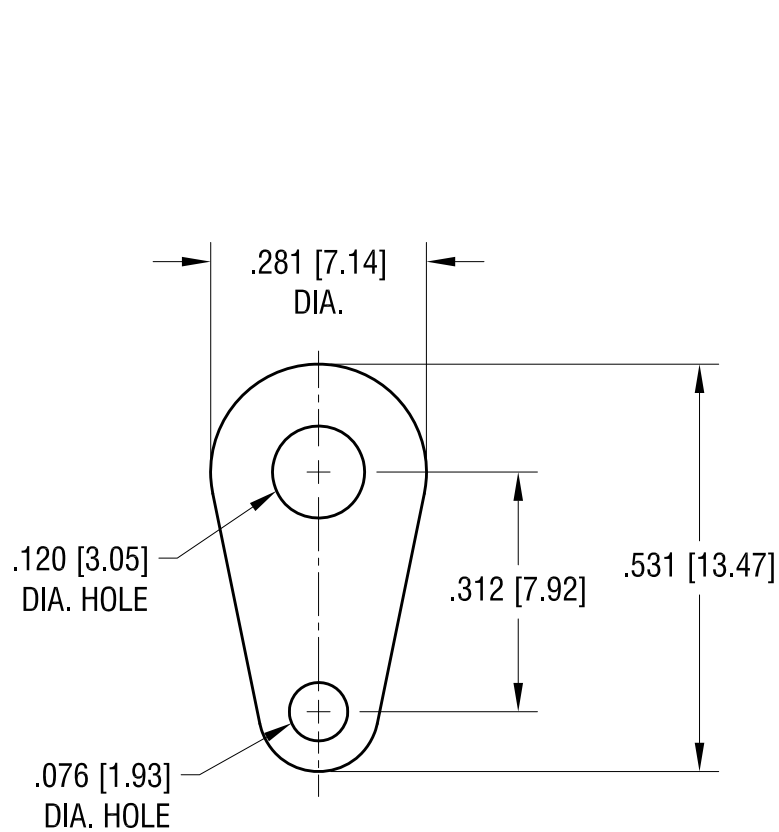


THIS DOCUMENT IS THE PROPERTY OF  
KEYSTONE ELECTRONICS CORP. AND  
SHALL NOT BE REPRODUCED, DISTRIBUTED  
OR USED AS A BASIS FOR MANUFACTURE  
WITHOUT PRIOR WRITTEN PERMISSION  
FROM KEYSTONE ELECTRONICS CORP.



6.25.09	CHANGE AS PER ECN 09-083	C
7.27.04	CHANGE AS PER ECN 04-052	B
10.20.03	CHANGE AS PER ECN 03-076	A
DATE	DESCRIPTION	REV.

<b>KEYSTONE ELECTRONICS CORP.</b>			
www.keyelco.com • ASTORIA, N.Y. 11105-2017 • Tel (718) 956-8900			
PART NAME		SOLDER TERMINAL LUG	
MATERIAL		.015 [0.38] TH'K BRASS	
FINISH	MATTE TIN PLATE	DRN BY BOONE	DATE 3.15.84
		APP'D LN	SCALE 4X
TOLERANCES DECIMAL ANGULAR	INCH [MM] ± .005 [± 0.15] ± 1°	CODE C	DWG NO. 7328
UNLESS OTHERWISE SPECIFIED			