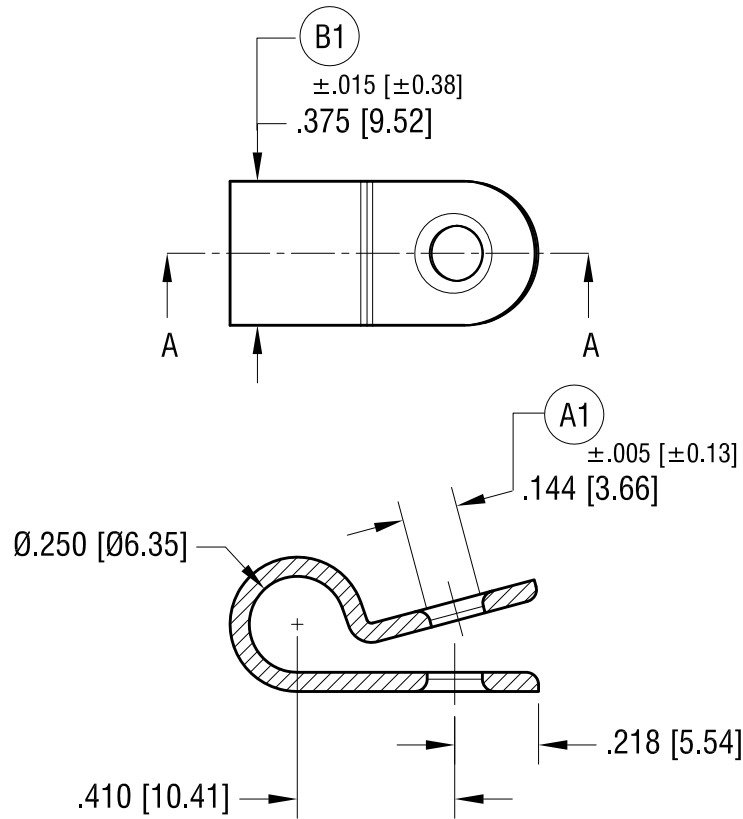


THIS DOCUMENT IS THE PROPERTY OF  
KEYSTONE ELECTRONICS CORP. AND  
SHALL NOT BE REPRODUCED, DISTRIBUTED  
OR USED AS A BASIS FOR MANUFACTURE  
WITHOUT PRIOR WRITTEN PERMISSION  
FROM KEYSTONE ELECTRONICS CORP.

ACTUAL SIZE



SECTION A-A

1.10.23	GENERAL TOLERANCE WAS $\pm .005$ ECN 23-003, (B1) WAS $.375 \pm .005$	B
3.03.21	(A1) WAS $.140 [3.56]$ CHANGE AS PER ECN 21-024	A
DATE	DESCRIPTION	REV.

<b>KEYSTONE ELECTRONICS CORP.</b>			
www.keyelco.com • NEW HYDE PARK, NY 11040 • Tel (516) 328-7500			
PART NAME		NYLON CABLE CLAMP	
MATERIAL		.050 [1.27] TH'K NYLON 6/6	
FINISH		DRN BY	DATE
NONE		BOONE	11.02.06
		APP'D	SCALE
		RH	2X
TOLERANCES	INCH [MM]	CODE	DWG NO.
DECIMAL	$\pm .010 [ \pm 0.25 ]$	C	7624
ANGULAR	$\pm 1^\circ$		
UNLESS OTHERWISE SPECIFIED			