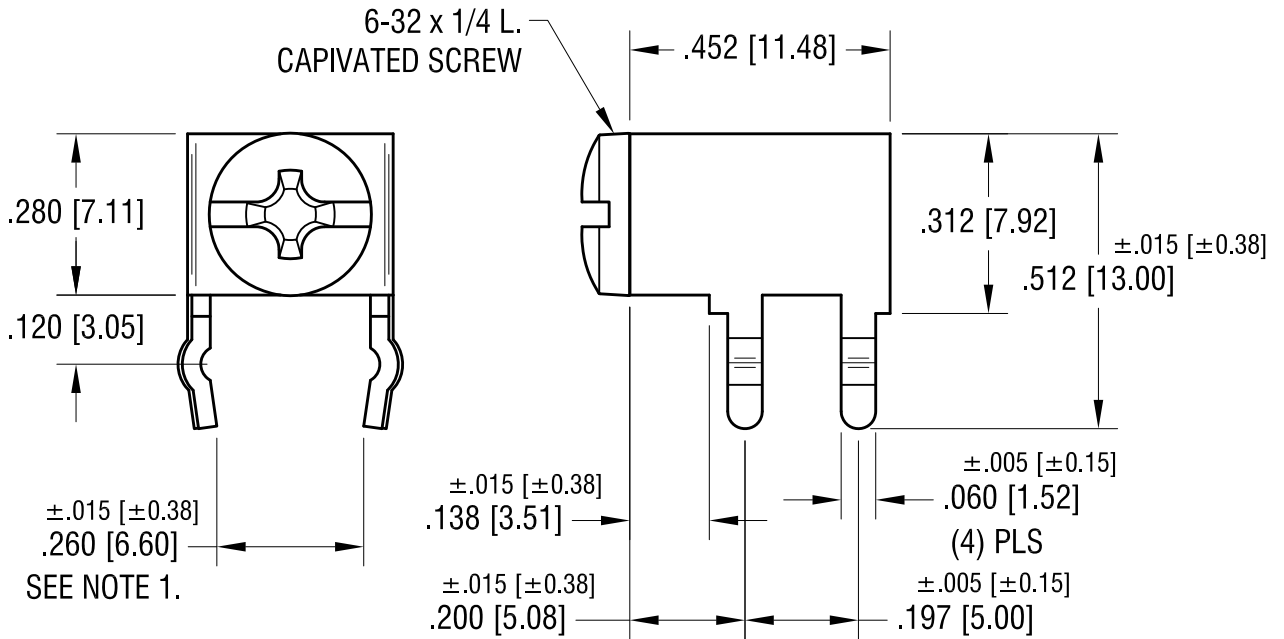
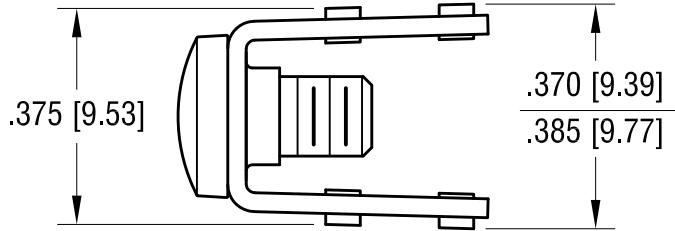
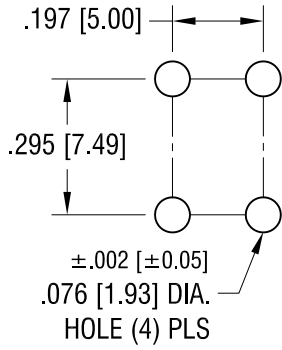


THIS DOCUMENT IS THE PROPERTY OF  
KEYSTONE ELECTRONICS CORP. AND  
SHALL NOT BE REPRODUCED, DISTRIBUTED  
OR USED AS A BASIS FOR MANUFACTURE  
WITHOUT PRIOR WRITTEN PERMISSION  
FROM KEYSTONE ELECTRONICS CORP.

**MOUNTING DETAIL**



**NOTE:**

1. .260 [6.60] ±.015 [±0.38] DIMENSION TO BE MEASURED AT END OF LEG, NOT AT SEATING PLANE.

**2. TERMINAL:**

MAT'L - .032 [0.81] TH'K BRASS, MATTE TIN PLATE

**SCREW:**

MAT'L - BRASS, NICKEL PLATE

|          |                           |      |
|----------|---------------------------|------|
| 6.24.10  | CHANGED AS PER ECN 10-044 | L    |
| 12.27.07 | CHANGE AS PER ECN 07-090  | K    |
| DATE     | DESCRIPTION               | REV. |

|                                   |               |                   |             |
|-----------------------------------|---------------|-------------------|-------------|
| <b>KEYSTONE ELECTRONICS CORP.</b> |               |                   |             |
| ASTORIA, N.Y. 11105-2017          |               |                   |             |
| PART NAME                         |               | PC SCREW TERMINAL |             |
| MATERIAL                          |               | AS NOTED          |             |
| FINISH                            | AS NOTED      | DRN BY            | BOONE       |
|                                   |               | APP'D             |             |
|                                   |               | DATE              | 9.20.93     |
|                                   |               | SCALE             | 3X          |
| TOLERANCES                        | INCH [MM]     | CODE              | DWG NO.     |
| DECIMAL                           | ±.010 [±0.25] | C                 |             |
| ANGULAR                           | ± 1°          |                   |             |
| UNLESS OTHERWISE SPECIFIED        |               |                   | <b>7692</b> |