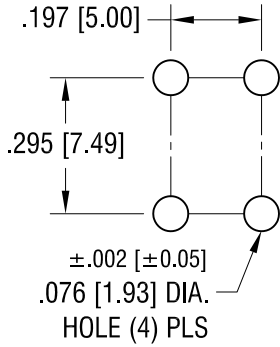
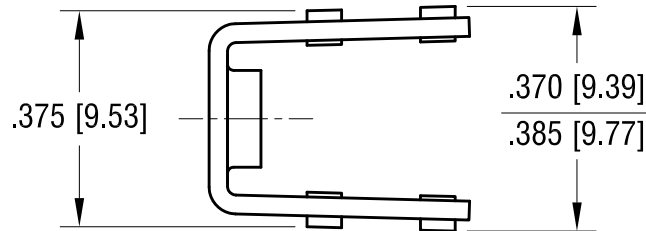
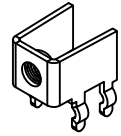


THIS DOCUMENT IS THE PROPERTY OF
KEYSTONE ELECTRONICS CORP. AND
SHALL NOT BE REPRODUCED, DISTRIBUTED
OR USED AS A BASIS FOR MANUFACTURE
WITHOUT PRIOR WRITTEN PERMISSION
FROM KEYSTONE ELECTRONICS CORP.

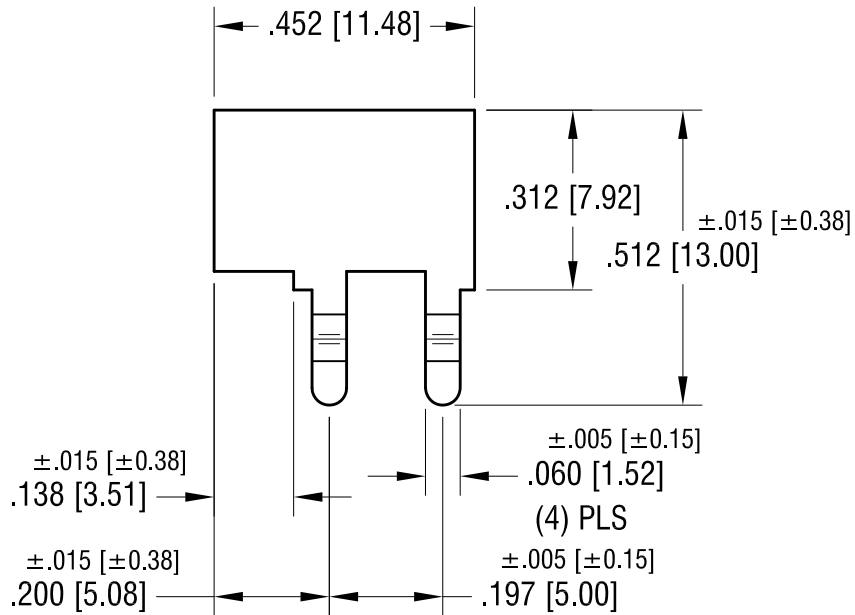
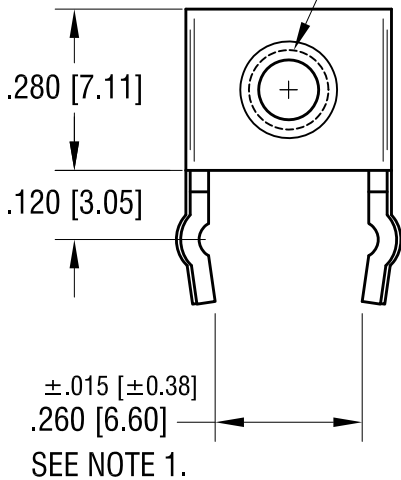
MOUNTING DETAIL



ACTUAL SIZE



6-32 THREAD
CLASS 2B



NOTE:

1. .260 [6.60] ±.015 [±0.38] DIMENSION
TO BE MEASURED AT END OF LEG,
NOT AT SEATING PLANE.

KEYSTONE ELECTRONICS CORP.

www.keyelco.com • ASTORIA, N.Y. 11105-2017 • Tel (718) 956-8900

1.14.16	CHANGE AS PER ECN 16-003	D	PART NAME		PC SCREW TERMINAL	
2.25.13	CHANGE AS PER ECN 13-022	C	MATERIAL		.032 [0.81] TH'K BRASS	
7.08.09	CHANGE AS PER ECN 09-096	B	FINISH		DRN BY	BOONE
1.30.08	CHANGE AS PER ECN 08-065	A	MATTE TIN PLATE		DATE	9.6.01
					APP'D	LN
DATE	DESCRIPTION	REV.	TOLERANCES	INCH [MM]	CODE	DWG NO.
			DECIMAL	±.010 [±0.25]	C	7779
			ANGULAR	± 1°		
			UNLESS OTHERWISE SPECIFIED			