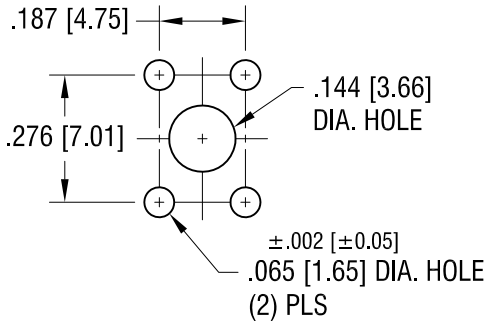
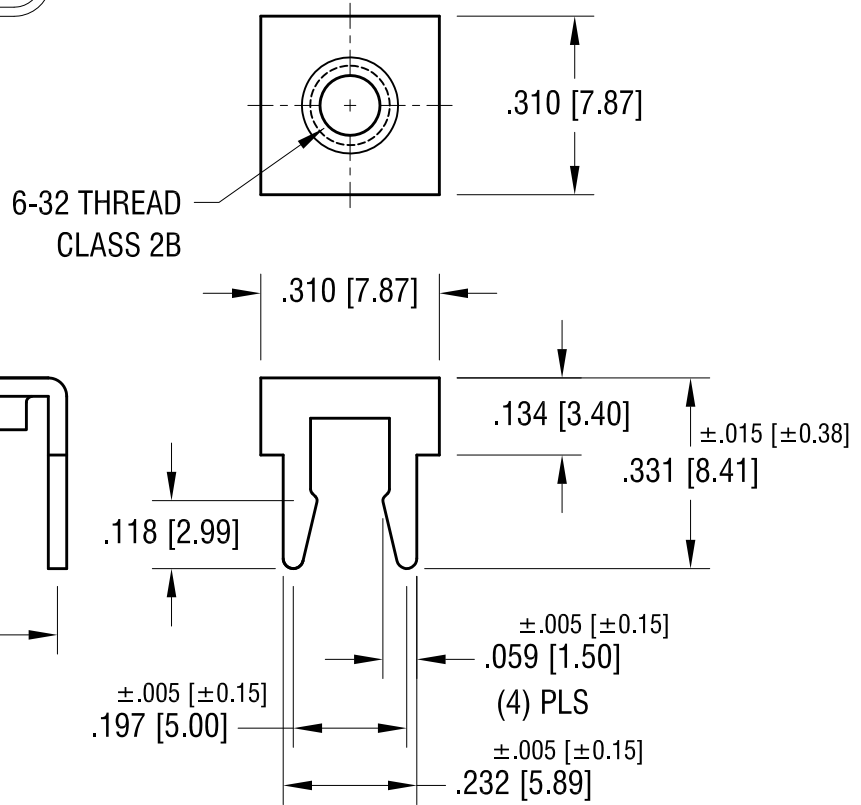
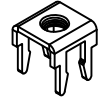


THIS DOCUMENT IS THE PROPERTY OF KEYSTONE ELECTRONICS CORP. AND SHALL NOT BE REPRODUCED, DISTRIBUTED OR USED AS A BASIS FOR MANUFACTURE WITHOUT PRIOR WRITTEN PERMISSION FROM KEYSTONE ELECTRONICS CORP.

MOUNTING DETAIL



ACTUAL SIZE



KEYSTONE ELECTRONICS CORP.

www.keyelco.com • ASTORIA, N.Y. 11105-2017 • Tel (718) 956-8900

1.14.16	CHANGE AS PER ECN 16-009	E	PART NAME LOW-PROFILE PC SCREW TERMINAL	
2.22.13	CHANGE AS PER ECN 13-021	D	MATERIAL .032 [0.81] TH'K BRASS	
7.14.09	CHANGE AS PER ECN 09-101	C	FINISH MATTE TIN PLATE	DRN BY BOONE DATE 9.19.01
1.31.08	CHANGE AS PER ECN 08-066	B		APP'D LN SCALE 3X
DATE	DESCRIPTION	REV.	TOLERANCES INCH [MM] DECIMAL ±.010 [±0.25] ANGULAR ± 1° UNLESS OTHERWISE SPECIFIED	CODE C DWG NO. 7785