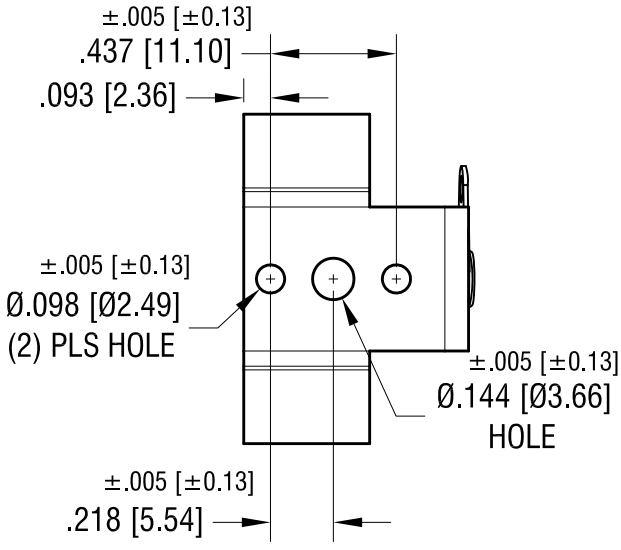
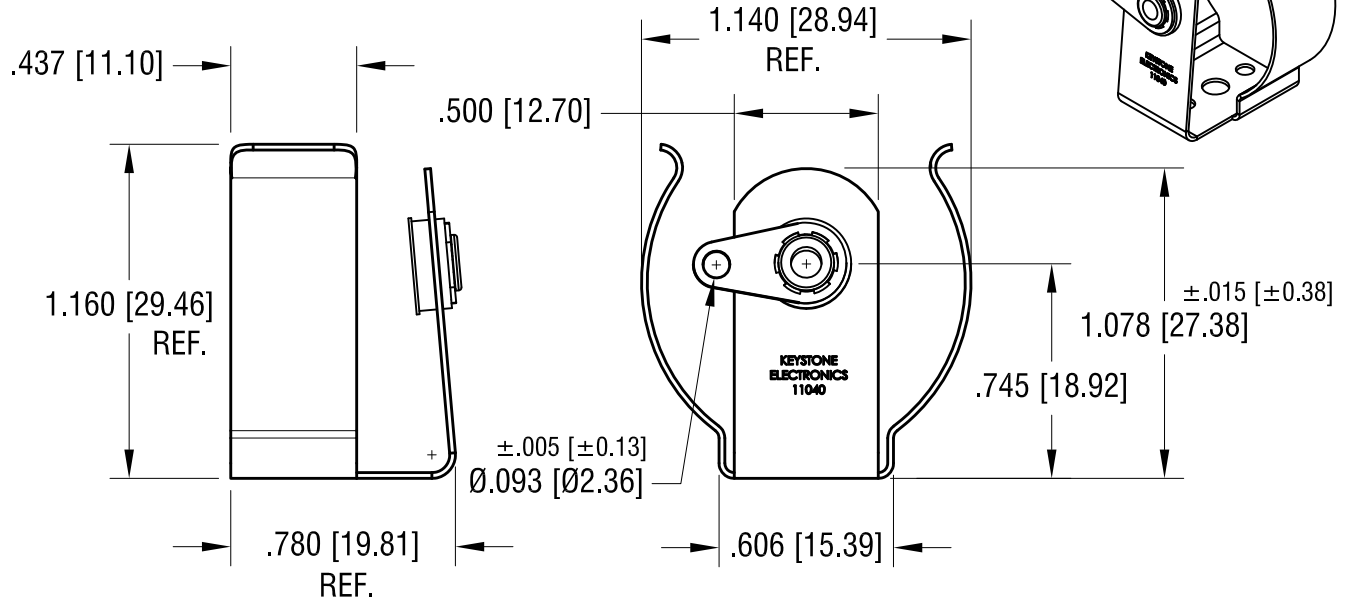


THIS DOCUMENT IS THE PROPERTY OF
KEYSTONE ELECTRONICS CORP. AND
SHALL NOT BE REPRODUCED, DISTRIBUTED
OR USED AS A BASIS FOR MANUFACTURE
WITHOUT PRIOR WRITTEN PERMISSION
FROM KEYSTONE ELECTRONICS CORP.



NOTES:

1. HEAT TREAT TO SPRING TEMPER.
2. CONTACT EYELET:
BRASS, NICKEL PLATE
3. INSULATING WASHERS:
VULCANIZED FIBRE
4. TERMINAL LUG:
BRASS, TIN PLATE

6.13.23	CHANGE AS PER ECN 23-099	D
12.29.98	CHANGE AS PER ECR 98-095	C
10.30.97	CHANGE AS PER ECR 97-054	B
DATE	DESCRIPTION	REV.

KEYSTONE ELECTRONICS CORP.			
www.keyelco.com • NEW HYDE PARK NY 11040 • Tel (516)328-7500			
PART NAME		'D' CELL END CLIP	
MATERIAL		.020 [0.50] TH'K ANNEALED SPRING STEEL	
FINISH		DRN BY	DATE
NICKEL PLATE		BOONE	10.05.81
		APP'D	SCALE
		RH	1.5X
TOLERANCES	INCH [MM]	CODE	DWG NO.
DECIMAL	± .010 [± 0.25]	C	88
ANGULAR	± 1°		
UNLESS OTHERWISE SPECIFIED			