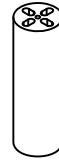
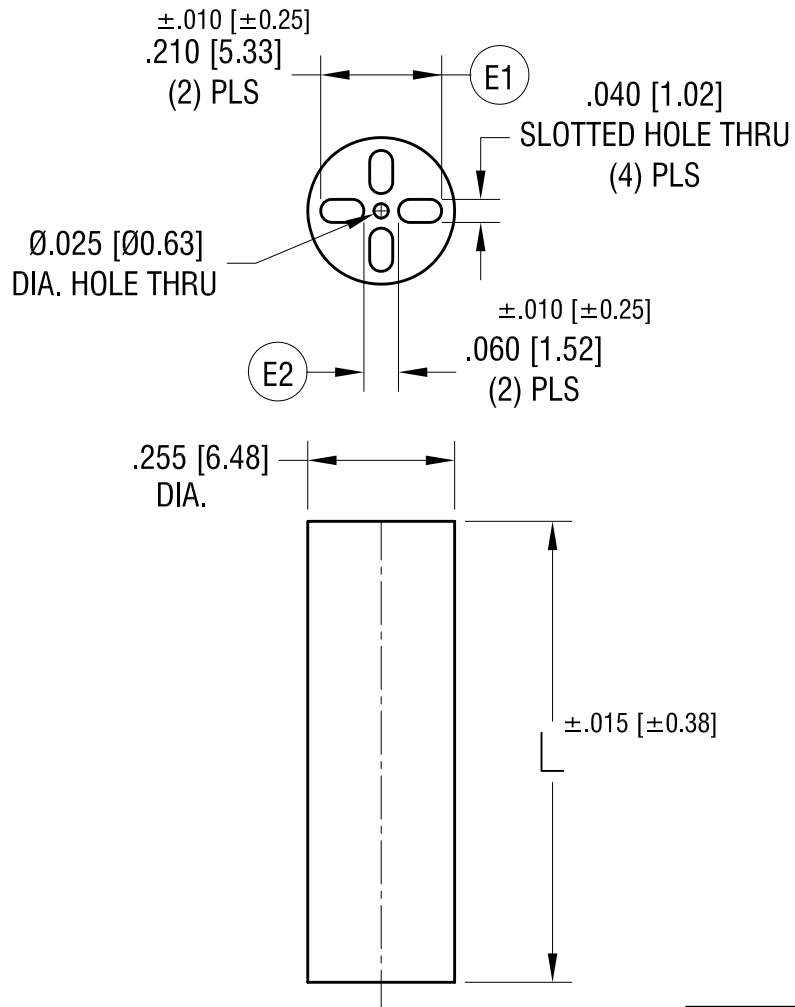


THIS DOCUMENT IS THE PROPERTY OF KEYSTONE ELECTRONICS CORP. AND SHALL NOT BE REPRODUCED, DISTRIBUTED OR USED AS A BASIS FOR MANUFACTURE WITHOUT PRIOR WRITTEN PERMISSION FROM KEYSTONE ELECTRONICS CORP.

ACTUAL SIZE
P/N 8928



PART NO.	'L' DIM.
8928	.800 [20.32]
8929	.850 [21.59]
8930	.900 [22.86]
8931	.925 [23.49]

6.21.22	(E1) WAS .210 \pm .005, (E2) WAS .060 \pm .005 CHANGE AS PER ECN 22-098	E
3.26.21	SPLIT TO GROUP PER TOLERANCES CHANGE AS PER ECN 21-030	D
5.26.11	CHANGE AS PER ECN 11-070	C
6.30.00	CHANGE AS PER ECN 00-059	B
4.6.98	CHANGE AS PER ECN 98-024	A
DATE	DESCRIPTION	REV.

KEYSTONE ELECTRONICS CORP.			
www.keyelco.com • NEW HYDE PARK, NY 11040 • Tel (516) 328-7500			
PART NAME		LED SPACER MOUNT	
MATERIAL		PVC UL 94V-0 (BLACK)	
FINISH	NONE	DRN BY	NT
		DATE	3.26.21
		APP'D	RH
		SCALE	3X
TOLERANCES	INCH [MM]	CODE	DWG NO.
DECIMAL	$\pm .005$ [± 0.13]	C	8928 - 8931
ANGULAR	$\pm 1^\circ$		
UNLESS OTHERWISE SPECIFIED			