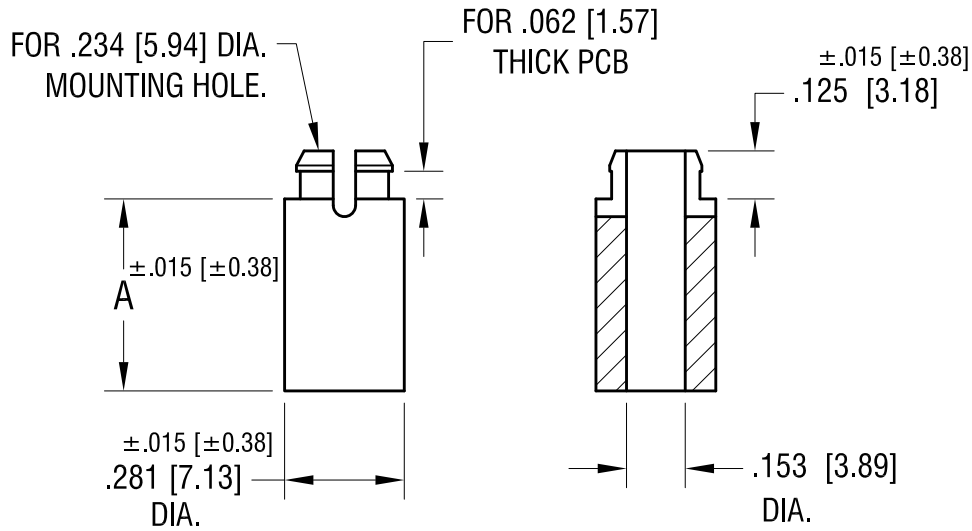


THIS DOCUMENT IS THE PROPERTY OF
KEYSTONE ELECTRONICS CORP. AND
SHALL NOT BE REPRODUCED, DISTRIBUTED
OR USED AS A BASIS FOR MANUFACTURE
WITHOUT PRIOR WRITTEN PERMISSION
FROM KEYSTONE ELECTRONICS CORP.

ACTUAL SIZE



PART NO.	'A' DIM.
9033	.250 [6.35]
9034	.375 [9.53]
9035	.500 [12.70]
9036	.625 [15.88]

DATE	DESCRIPTION	REV.
9.09.21	GENERAL TOLERANCE WAS ±.005 CHANGE AS PER ECN 21-104	C
11.05.09	CHANGE AS PER ECN 09-161	B
5.04.09	CHANGE AS PER ECN 09-036	A

KEYSTONE ELECTRONICS CORP.			
www.keyelco.com • NEW HYDE PARK, NY 11040 • Tel (516) 328-7500			
PART NAME		THRU HOLE SPACER	
MATERIAL		NYLON 6/6 UL 94V-0	
FINISH	NONE	DRN BY	BOONE
		DATE	8.29.06
		APP'D	RH
		SCALE	2X
TOLERANCES	INCH [MM]	CODE	DWG NO.
DECIMAL	± .010 [± 0.25]	C	9033 - 9036
ANGULAR	± 1°		
UNLESS OTHERWISE SPECIFIED			